



Satellite IP Flat Antenna

SAT>IP™
Certified by SES



Mobile devices
with Wi-Fi



Up to 8 devices
simultaneously



Support HD & UHD



Compact size



No need Internet



2 Legacy output for
conventional STB

www.selfsat.com



SAT>IP LNB integrated antenna

Satellite IP Flat Antenna

SELSAT>IP series

Including window bracket
Inklusive Fensterhalterung



Supporting 8 Smart devices + 2 Conventional STBs



2 Legacy outputs



PoE Adaptor included



8 User Band



USER'S MANUAL Bedienungsanleitung

Ver 2.0

www.selfsat.com

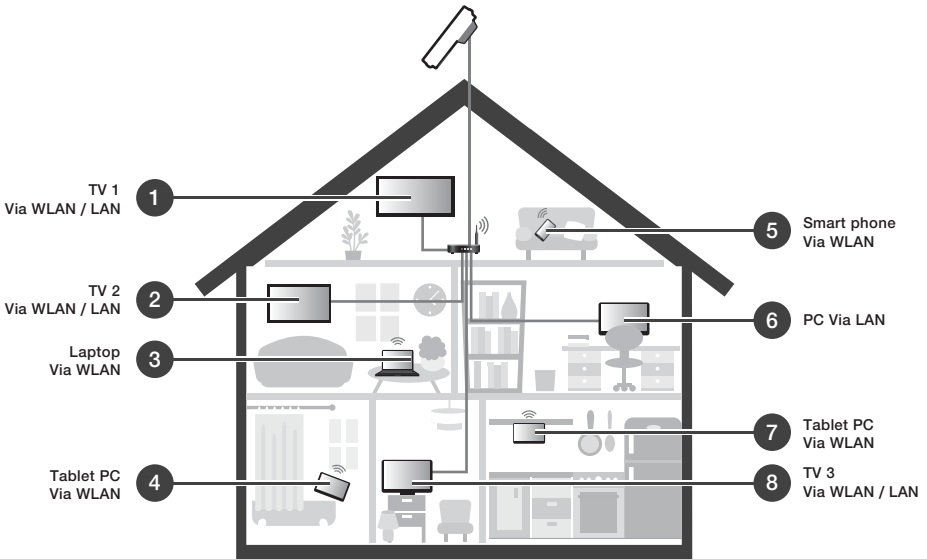
Contents

What is SELFSAT>IP series Series Flat Antenna?	2
Safety Instructions	3
Box Content	4
How to Install?	5
Step 1 : Where to Install?	5
Step 2 : Check Information	5
Step 3 : Installation Choice	6
1) Table Stand Type (On a Horizontal Plain)	6
2) Wall Mounting Type	6
3) Window Type	7
4) Clamp on Balcony Type	7
Step 4 : SELFSAT>IP series Installation and How to Use	8
1) Connect the SELFSAT>IP series antenna to your traditional DVB-S/S2 STB	8
a. How to prepare the cable?	8
b. How to connect the cable to the antenna and the set top box?	8
2) Connect the SELFSAT>IP series antenna to your home network	9
a. How to connect Ethernet cable to the antenna?	9
b. How to connect the antenna to the PoE injector and the WLAN router?	9
3) Satellite Searching and Fixing the Antenna	10
4) SELFSAT>IP series (SAT>IP) Client Devices	11
a. How to download/use the App for iOS/Android Smart Phones and Tablets?	11
b. How to use the PC Viewer	11
Troubleshooting Check List for Initial Installation	12
Signal Loss / Rain Fade	12

What is SELFSAT>IP series Series Flat Antenna?



SELSAT>IP series flat antenna is a flat satellite antenna with patented and state of the art technology that can collect satellite signal and pass satellite signal to LNB and STB. SELFSAT>IP series antenna has the ability to receive live satellite signal to traditional DVB-S/DVB-S2 STB and also at same time the SELFSAT>IP series antenna can convert the live FTA(Free to Air) satellite signal to IP streams for up to maximum 8 users to receive and view live FTA satellite program on any computer or smart devices within the local network. The SELFSAT>IP series flat antenna is connected to the home network environment with a Cat5e grade or higher grade cable.



Note

Even though not indicated on the below picture, one PoE injector is required to operate SELFSAT>IP series. Please follow the installation instruction following in this manual.

Safety Instructions

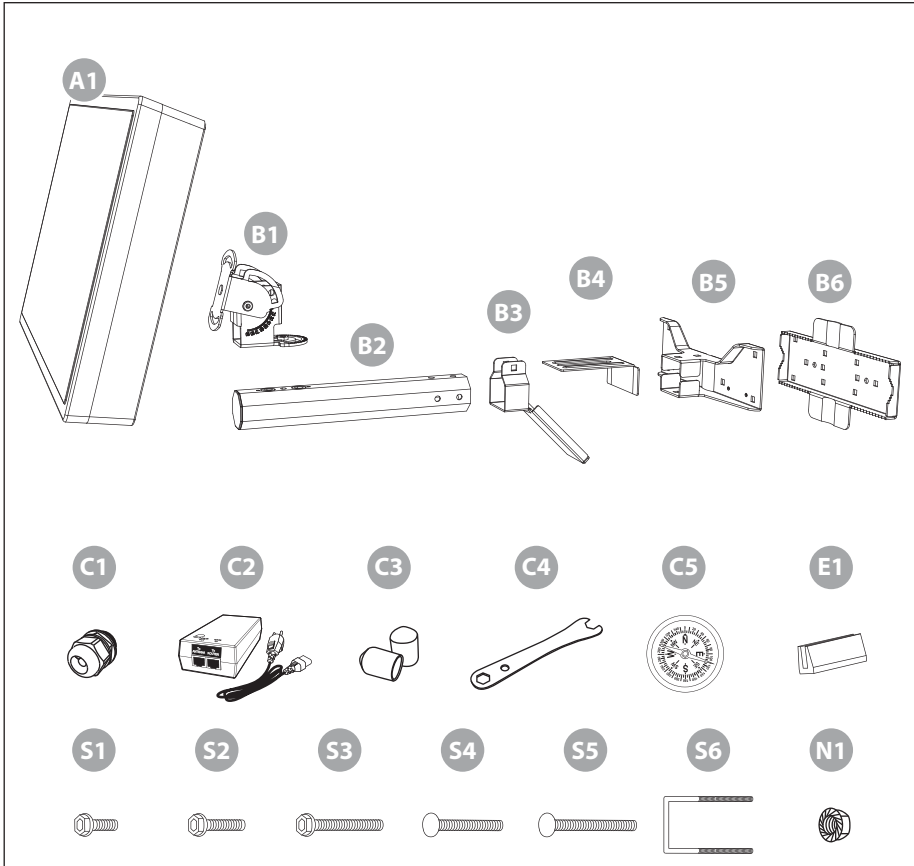


- Before using this product please read this manual carefully and follow all the installation, mounting & orientation instructions correctly.
- All the instructions should be followed in order to avoid any technical problems.
- Any electric or magnetic field close to the SELFSAT>IP series Series may cause a bad reception or even cut off the signal completely.
- Do not make any holes on the plastic antenna cover to prevent from water penetration.
- When handling the antenna, please do it carefully as any impact might cause damage to the electronics.
- Do not open the cover, any attempt to repair by a non-qualified person can be dangerous and void the warranty.
- Any obstacle (buildings, trees, etc....) will block the reception of the signal from the satellite to the antenna.
- Do not paint or add any substance on the antenna cover, this will block the reception of the signal from the satellite.
- The cable between the antenna and the Satellite receiver should not exceed 30m as it will decrease the quality of the signal.
- The use non-isolated jacks will result in a loss of the signal level.
- Do not forget to adjust the antenna and the bracket to the cross-polarity.
- Tighten all the screws of the antenna once you have finished the adjustments.
- This product contains one SAT>IP LNB with two legacy ports, it is forbidden to add, change or modify the LNB.
- For more precise details on the above points or for any information, please ask your retailer or customer service.

Warning

Antennas improperly installed or installed to an inadequate structure are very susceptible to win damage. This damage can be very serious or even life threatening. The owner and installer assumes full responsibility that the installation is structurally sound to support all loads (weight, wind & ice) and properly sealed against leaks. The manufacturer will not accept liability for any damage caused by a satellite system due to the many unknown variable applications.

Box Content



- | | |
|--------------------------------------------------------------------------------------------|--------------------------------------------------|
| A1 Antenna | C4 Spanner |
| B1 Angle Bracket | C5 Compass |
| B2 Main Support | E1 Rubber (×4) |
| B3 Window Bracket A | S1 Screw M4X10 SEMS2 (×4) |
| B4 Window Bracket B | S2 Screw M6x18 SEMS2 (×3) |
| B5 Fix Bracket B | S3 Screw M6X50 SEMS2 |
| B6 Fix Bracket A | S4 Round Head Square Neck Bolt M6x30 |
| C1 Cable gland
(Integrated in the backside of the antenna) | S5 Round Head Square Neck Bolt M6x50 (×3) |
| C2 PoE injector | S6 U-Bolt M6x85 (×2) |
| C3 RF connector water-proof cap (×2)
(Integrated in the backside of the antenna) | N1 Flanged Nut M6 (×7) |

How to Install?



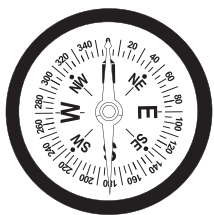
You will be able to install SELFSAT>IP series easily by yourself by following this manual step by step.

Before installing your antenna, you have to check that SELFSAT>IP series box contains all the items listed above in the 'Box Content'. In the event of any missing parts, please contact your distributor.

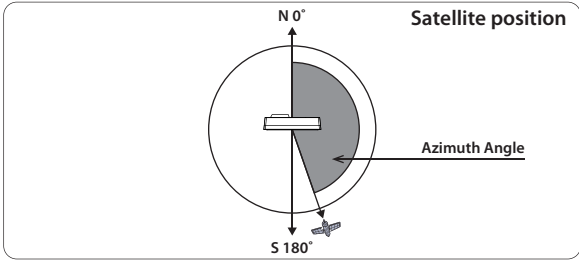
Step 1: Where to Install?

In order to receive a signal from the Satellite, SELFSAT>IP series has to be installed in an open loop space (outside the house or the apartment), in the direction of the satellite towards the equator, for which, you will need a compass to exactly orient SELFSAT>IP series toward the satellite.

Note
Please take reference to the table of the Azimuth angles specified in the back pages of this manual.



< Compass >



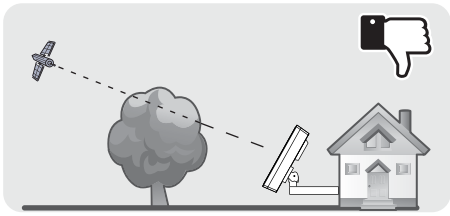
Note
To ensure an accurate compass reading, stay away from large metal objects, specifically electrical cables and then make multiple readings.

Make sure that there are no obstacles in front of SELFSAT>IP series which can decrease the signal reception quality, such as buildings or trees (you may keep in mind that trees will grow and may block the signal).

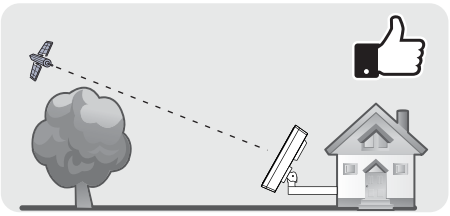
In order to be able to fix and install your antenna easily, you might choose an easy accessible place without any potential danger for installation.

Think about the way you prefer to place your cable in a discreet way from the SELFSAT>IP series to your Set top Box. The antenna should not be too distant from your satellite receiver; a cable longer than 30 meters may decrease the quality of the signal.

Bad Quality Signal Reception



Good Quality Signal Reception



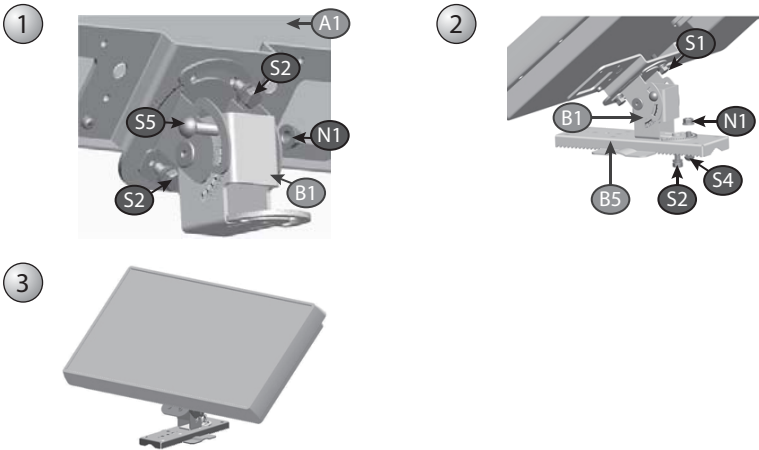
Step 2: Check Information

In order to install antenna, you need to find skew, elevation and azimuth angle by referring the table on the back of the manual. If you can't find your location, please refer to the information of the nearest area from your location. This manual will show you the installation example to receive ASTRA1 satellite in Brest region of France. The angle information for Brest region is Skew : -19.7, El : 30, Az : 149.6

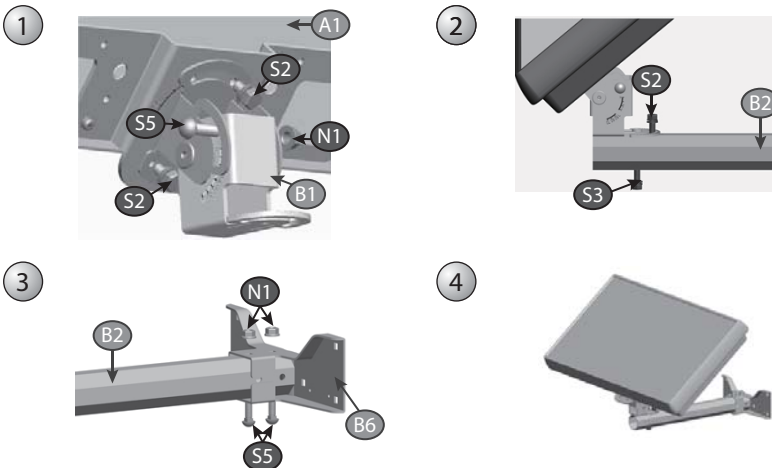
Step 3: Installation Choice

Depending on the choice of installation position for the SELFSAT>IP series, you can then decide on the mounting type, all parts are included.

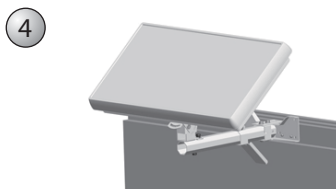
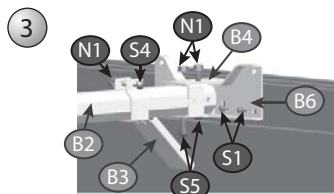
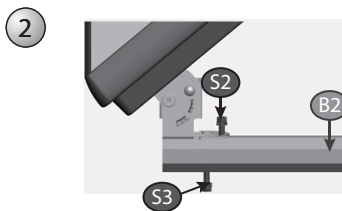
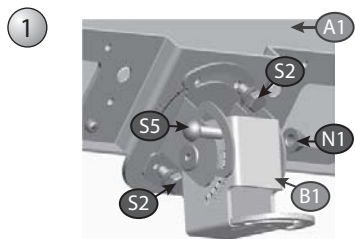
1) Table Stand Type (on a Horizontal Plain)



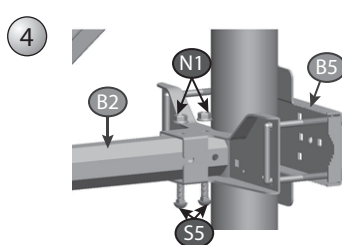
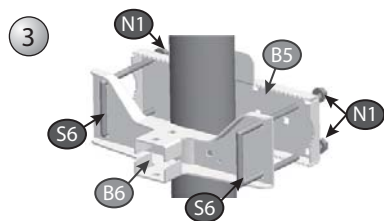
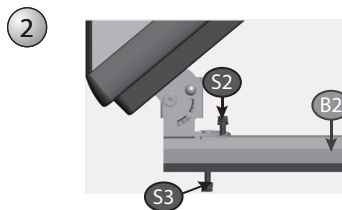
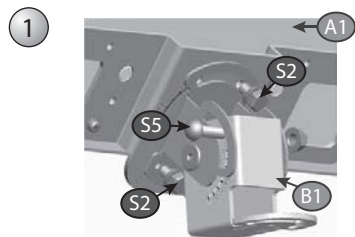
2) Wall Mounting Type



3) Window Type

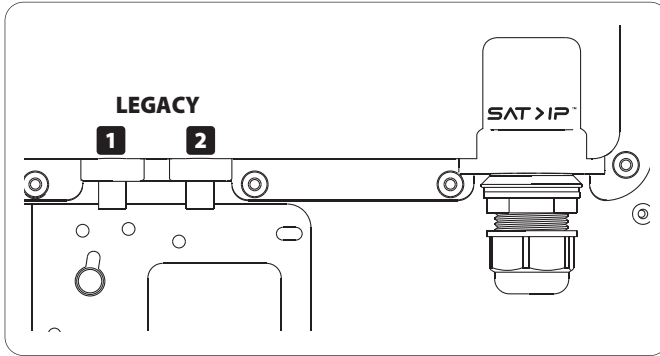


4) Clamp on Balcony Type



Step 4: SELFSAT>IP series Installation and How to Use

Since the SELFSAT>IP series antenna provides two different interface: Legacy RF connector and RJ45 LAN connector, the user can select different connector upon different environment.



Note

SELFSAT>IP series antenna includes a protection cap for the legacy outputs. Please put the protection cap on the legacy outputs when you do not use the ports to prevent water penetration. Also, when you are using the port, please keep the connector protection cap and do not lose it.

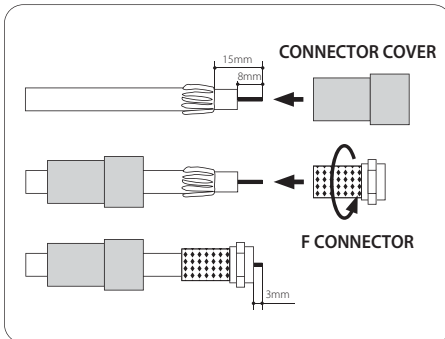
1) Connect the SELFSAT>IP series antenna to your traditional DVB-S/S2 STB

Once you have installed the antenna in an open loop space or mounted the way you want it to be, the next step is to connect them all together.

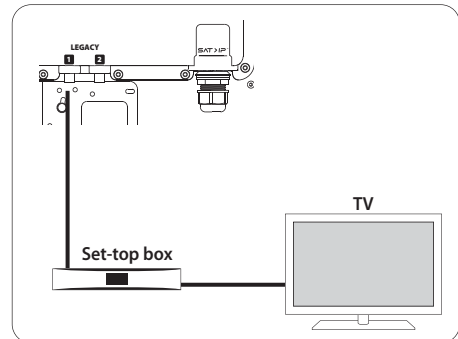
In order to be able to watch your favorite satellite programs, you need to connect your satellite antenna to a receiver with a cable. The cable between the antenna and the Satellite receiver should not exceed 30m as it will decrease the quality of the signal. The use of a long or bad quality cable and/or unisolated jacks can cause lowering the signal level, it would be preferable to use an RG6 Coaxial cable (HF 17VATC or 19VATC cable), in order to minimize a signal loss.

Just connect the RF coaxial cable from the Legacy 1 or Legacy 2 from the SELFSAT>IP series antenna to your DVB-S/S2 STB.

a. How to prepare the cable?



b. How to connect the cable to the antenna and the set top box?

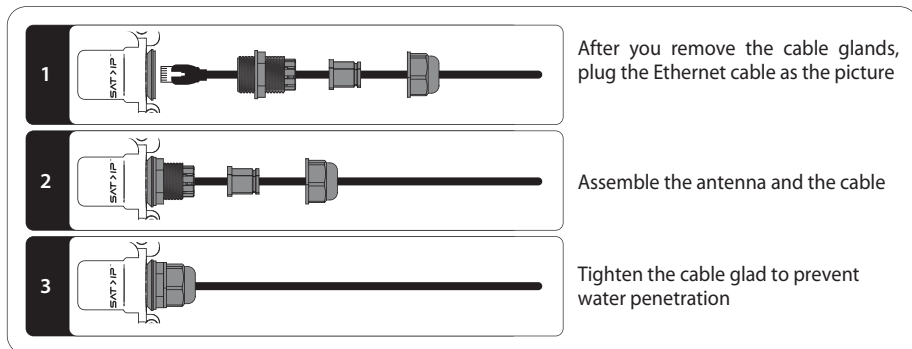


2) Connect the SELFSAT>IP series antenna to your home network

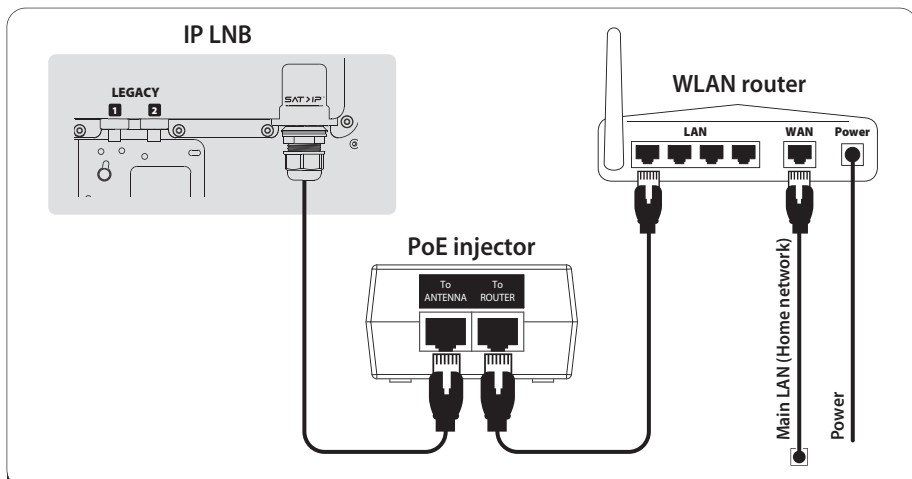
The SELFSAT>IP series antenna can be connected to your home Ethernet environment via standard Ethernet cable [Cat5e or higher grade]. Because the SELFSAT>IP series utilize the SAT>IP technology to convert the satellite signal to IP stream.

A PoE (Power over Ethernet) injector is needed to provide electricity power to the SELFSAT>IP series unit. Please follow the diagram below to connect the LAN cable from SELFSAT>IP series antenna to the PoE injector and from the injector to your home router.

a. How to connect Ethernet cable to the antenna



b. How to connect the antenna to the PoE injector and the WLAN router?



Warning

Please make sure you are connecting to the correct port. Incorrect connections from the PoE may cause damage to your router or network switch.

Note

Please use LAN port only to connect with SELFSAT>IP series. WAN port will be used to use the outside internet.

Note

SELSAT>IP series Antenna has its own MAC Address.
The MAC address can be found from the backside of the included manual.

Note**Network environment setup:**

Because digital video transmission requires stable and fast enough networking (LAN/WLAN) environment, the SAT>IP technology used in SELFSAT>IP series product need stable and powerful WiFi router in order to perform well in WiFi environment for multiple user to use at the same time. SELFSAT>IP series is recommended to be used with 802.11ac or above grade WiFi router to have good user experience.

If you use lower version than 802.11ac router, SELFSAT>IP series might not perform the optimum operation.

After customer obtains a 802.11ac router, we also recommend customer to try the two different 2.4G and 5G signal (SSID) from the router and see which SSID provide smoother connection and stays with the better one. Then under this configuration, the user can enjoy the best performance of SELFSAT>IP series through WiFi.

3) Satellite Searching and Fixing the Antenna

Once all connected, turn on the TV and the Satellite receiver.

Select the Antenna Pointing Menu on your set top box.

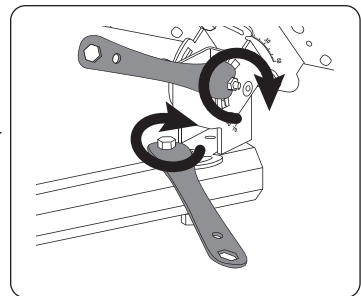
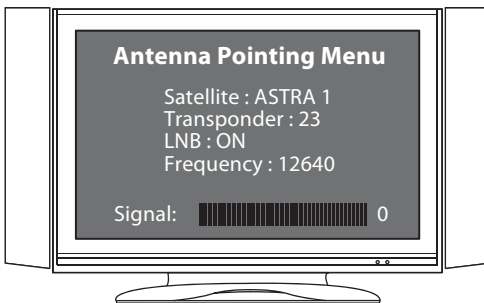
You can check signal level on your TV.

Ensure that to choose "LNB : ON"

You will need someone to stay in front of the TV to tell you when the signal is "good" while you're outside trying to adjust the antenna the best way possible.

The signal level and quality is indicated on the TV screen and will fluctuate and change color according to the adjustment & movement of the antenna while you are pointing & finding (azimuth, elevation angle).

The level indicates the power of the signal and the color is the signal reception quality from the chosen satellite.



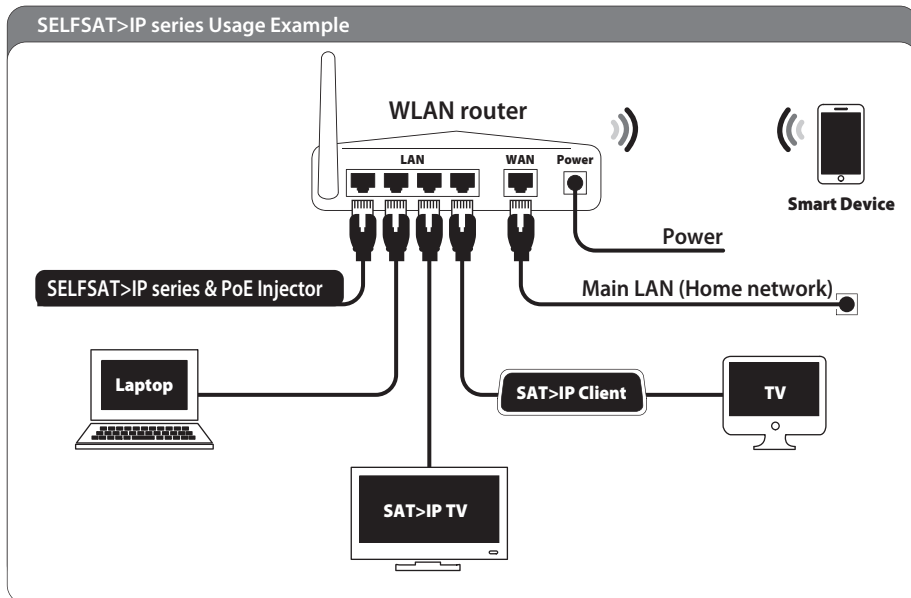
4) SELFSAT>IP series (SAT>IP) Client Devices

The SELFSAT>IP series client is either a software App or a STB-type device that used to receive the SELFSAT>IP series IP stream.

For tablets or smart phones, the SAT>IP App can be found at the Apple APP Store or Google Play.

For TV's that may come with the SAT>IP client software embedded in the TV or they may require a separate hardware client (SAT>IP STB, SAT>IP Dongle) which is connected to the TV.

You can use the LAN port of current router and wired type SAT>IP client (such as SES SAT>IP certified IP-STB) to use SELFSAT>IP series in the LAN environment first. Because physical wired LAN environment can provide stable and dedicated connection/bandwidth so in wired LAN environment, customer can easily enjoy the SAT>IP technology provided by SELFSAT>IP series antenna.



a. How to download/use the App for iOS/Android Smart Phones and Tablets?

1. Download the SAT>IP App such as "Elgato SAT>IP" from Apple App Store or Google Play.
 - SAT>IP App allows you to receive unscrambled programs.
2. Install the App on your iOS or Android device.
3. Start the App.

b. How to use the PC Viewer

With Microsoft Windows® operating system:

Using the program "DVBViewer", you can find a free version at www.satip.info

Within the options menu you can choose your SAT>IP server and change the settings.

Note

- Please refer to the attached Quick Guide for detailed information.
- If you need the newest information regarding SAT>IP applications and PC programs, go to www.satip.info.

Troubleshooting Check List for Initial Installation



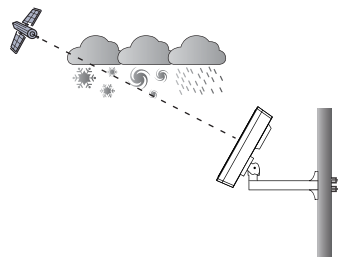
If the signal is not found, be sure the receiver user manual and the antenna user manual have been followed closely, check the following:

- Make sure all cable connections are correct and each connection is seated / tightened properly.
- Inspect the inside of each cable connector for dirt or possible connector to case/shield short.
- Verify the Azimuth, Elevation and Tilt angles for your location by ZIP code.
- Make sure the Tilt and Elevation pointers are aligned correctly to the scales. Do not use washer or bolt as reference.
- Make sure the Tilt adjustment is not changed from the recommended setting for the antenna location.
- Remove exiting TV-specific components, such as TV splitter, etc; reduce the installation to the basic connections called out in this guide. Such components may not work with the satellite signal and they may be in the wall where you can't see them. When in doubt, run RG 6 cable directly to your receiver.
- Make sure there are no obstructions (trees, buildings, windows, corner or overhang of your roof, your body or hands) – the signal does not leaves, branches, glass, etc.
- RG 6 cable with solid copper center conductor is highly recommended because it has much lower DC voltage drop compared to RG 6 cable with a copper-coated, steel center conductor.
- Standard RG 59 cable causes too much DC drop and signal drop; it can not be used to pass the satellite signal. RG 6 coaxial cable must be used.
- Some after-market, off-the-shelf add-on components may not be as advertised. They might not work or could cause additional DC drops and signal amplitude attenuation. Remove such components, go back to the basic connections called out in this manual and re-verify.
- Make sure the satellite cable is connected to the "Sat In" jack, not the "Antenna In" jack. The "Antenna In" jack at the back of the receiver is for off-air antenna input or cable TV input.
- If all are done correctly but the signal is still not found, change the Elevation adjustment of the antenna slightly ($\pm 2^{\circ}\text{C}$, the $\pm 4^{\circ}\text{C}$ from the called-for setting) and repeat the procedure.
- Make sure the Access Card from your receiver is fully inserted into the Access Card slot and oriented correctly.

Signal Loss / Rain Fade



- The satellite signal may lost temporarily due to unusually heavy rainfall. An optimally aligned antenna, along with the shortest possible cable run, minimizes the chances of "rain fade."
- Make sure the antenna is mounted securely to prevent it from being blown out of alignment in a heavy wind.
- Heavy snow accumulation on the antenna may reduce the satellite signal strength; snow should be swept away as soon as possible.
- Tree foliage growth into antenna's line-of-sight to the satellite may result in gradual loss of picture.



Installation Using Long Cable

- For installations where the RG 6 cable runs from the receiver(s) to the LNB far exceeds 100 feet (150 feet or more), as encountered in a commercial or multi-dwelling building, you need to use an AC power booster module to bias the LNB.
- You will also need an additional RF signal amplifier to compensate the signal amplitude loss. Otherwise, your antenna and receiver may not work properly and be subject to frequent outages in adverse weather. Contact a professional concerning such installations.

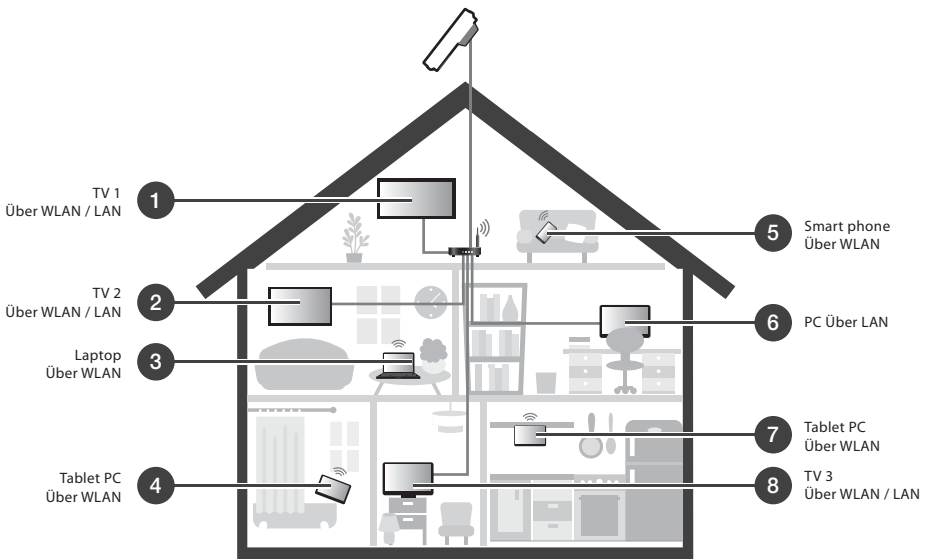
Inhalt

Um was handelt es sich bei der SELFSAT>IP series Serie Flachantenne?	2
Sicherheitsanweisungen	3
Lieferumfang	4
Wie wird sie montiert?	5
Schritt 1: Wo wird sie montiert?	5
Schritt 2: Daten überprüfen	5
Schritt 3: Wahl der Installati	6
1) Tischstand-Typ (auf einer waagrechten Ebene)	6
2) Wandmontage-Typ	6
3) Fenster-Typ	7
4) Balkonklammer-Typ	7
Schritt 4: SELFSAT>IP series Installations- und So verwenden	8
1) Verbinden Sie die SELFSAT>IP series Antenne mit Ihrer herkömmlichen DVB-S/S2 STB	8
a. Wie ist das Kabel vorzubereiten?	8
b. Wie wird das Kabel mit der Antenne und der Set-Top-Box verbunden?	8
2) Verbinden Sie die SELFSAT>IP series Antenne mit Ihrem Heimnetzwerk	9
a. Wie wird das Ethernet-Kabel mit Antenne verbunden?	9
b. Wie wird die Antenne mit dem PoE-Injektor und dem WLAN-Router verbunden?	9
3) Satelliten-Suche und der Befestigung des Antennen	10
4)SELFSAT>IP series (SAT>IP) Klientengeräte	11
a. Wie wird die App für iOS/Android Smartphones und Tablets heruntergeladen und benutzt? ..	11
b. Wie wird der PC-Viewer benutzt?	11
Störungsbehebungs-Prüfliste für die Erstmontage	12
Signal Verlust / Regen-Verblässung	12

Was ist die SELFSAT>IP series Serie Flachantenne?



Die SELFSAT>IP series ist eine Flachantenne, entwickelt mit patentierter und modernster Technologie, die Satellitensignale empfangen und diese an LNB und STB weiterleiten kann. Die SELFSAT>IP series Antenne besitzt die Fähigkeit Echtzeit-Satellitensignale im herkömmlichen DVB-S/DVB-S2 STB Format zu empfangen, und gleichzeitig kann die SELFSAT>IP series Antenne die Live-FTA (Free to Air) Satellitensignale in IP-Streams für bis zu 8 Nutzer umwandeln. Damit können die Satellitenprogramme auf jedem Computer und Smart Device im lokalen Netzwerk angezeigt werden. Die SELFSAT>IP series Flachantenne wird dem Heimnetzwerk mittels eines Cat5e oder höherwertigem Kabels verbunden.



Hinweis

Obwohl nicht auf dem Bild unten dargestellt, ist mindestens ein PoE-Injektor notwendig um das SELFSAT>IP series zu betreiben. Bitte befolgen Sie der Montageanleitung in diesem Handbuch.

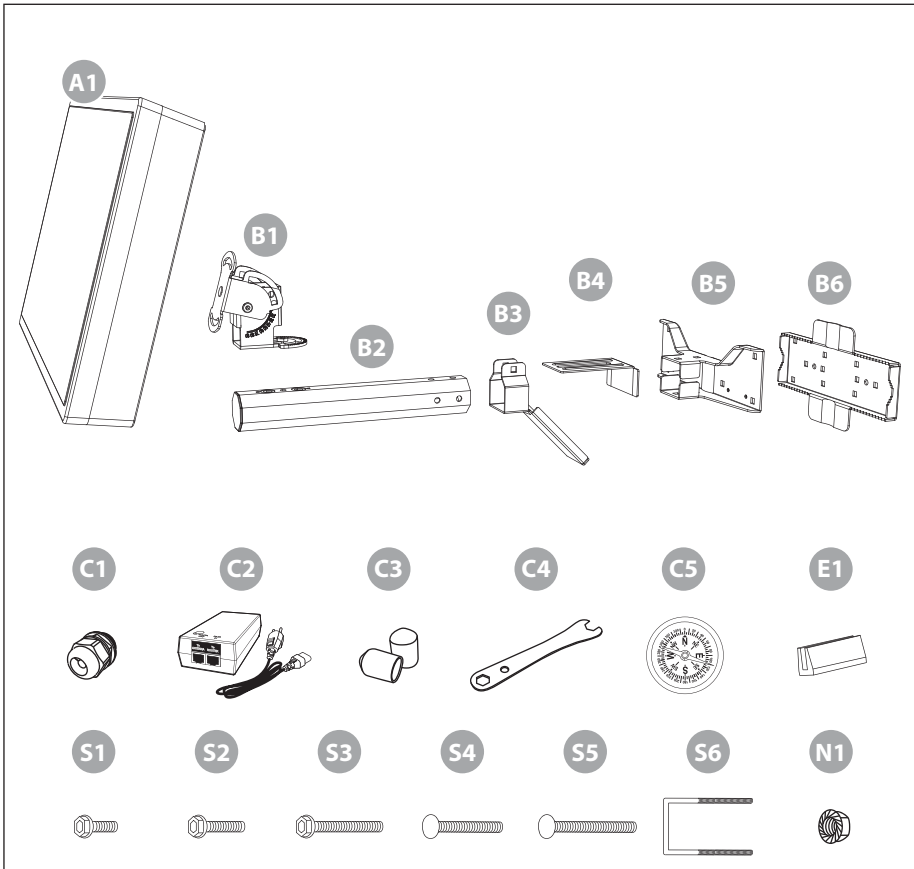
Sicherheitsanweisungen



- Bitte lesen Sie vor der Verwendung dieses Produkts diese Bedienungsanleitung sorgfältig durch und befolgen Sie genau alle Montage-, Befestigungs- und Ausrichtungsanweisungen.
- Alle Anweisungen sollten befolgt werden, um technische Probleme zu vermeiden.
- Elektrische oder magnetische Felder nahe des SELFSAT>IP series können zu schlechtem Empfang führen oder sogar den Empfang des Signals ganz verhindern.
- Machen Sie keine Löcher in die Kunststoffabdeckung der Antenne, da diese die Antenne vor Feuchtigkeit schützt.
- Handhaben Sie die Antenne mit Vorsicht, da Stöße die Elektronik beschädigen können.
- Öffnen Sie nicht die Abdeckung. Jeder Reparaturversuch durch nicht qualifizierte Personen kann gefährlich sein und die Garantieansprüche erlöschen lassen.
- Hindernisse (Gebäude, Bäume, usw.) können den Empfang des Satellitensignals blockieren.
- Lackieren Sie nicht die Antennenabdeckung oder bringen daran irgendwelche Materialien an, da dies den Empfang des Satellitensignals blockiert.
- Das Kabel zwischen der Antenne und dem Satellitenempfänger sollte 30m nicht überschreiten, da sonst die Qualität des Signals abnehmen wird.
- Der Gebrauch von nicht-isolierten Steckern führt zu einem Verlust der Signalstärke.
- Vergessen Sie nicht, die Antenne und die Halterung an die Kreuzpolarität anzupassen.
- Ziehen Sie alle Schrauben der Antenne fest, nachdem Sie die Einstellungen abgeschlossen haben.
- Dieses Produkt enthält ein Universal-LNB mit zwei Schnittstellen. Jegliche Anbauten, Änderungen oder Modifikationen daran sind verboten.
- Für genauere Einzelheiten zu den oben genannten Punkten oder für weitere Informationen wenden Sie sich bitte an Ihren Händler oder den Kundendienst.

Warnung

Nicht korrekt oder an eine unpassende Struktur angebrachte Antennen sind leicht durch den Wind zu beschädigen. Diese Schaden können sehr ernsthafte Natur und sogar lebensgefährlich sein. Der Eigentümer und Antennen-Installateur übernimmt die volle Verantwortung dafür, dass die Installation strukturell in Ordnung ist, damit sie sämtliche Lasten tragen kann (Gewicht, Wind und Eis) und gegen lecke Stellen vorschriftsmäßig abgedichtet ist. Der Hersteller übernimmt aufgrund der vielen unbekannt variierenden Anwendungen keine Haftung für Schaden, die durch ein Satellitensystem verursacht worden sind.



- | | |
|-------------------------------------------------------------------------------------|-----------------------------------------------------|
| A1 Antenne | C4 Schraubenschlüssel |
| B1 Winkelhalterung | C5 Kompass |
| B2 Hauptstütze | E1 Gummi (×4) |
| B3 Fensterhalterung A | S1 Schraube M4X10 SEMS2 (×4) |
| B4 Fensterhalterung B | S2 Schraube M6x18 SEMS2 (×3) |
| B5 Fixierungshalterung A | S3 Schraube M6X50 SEMS2 |
| B6 Fixierungshalterung B | S4 Halbrund-Vierkant-Halsschraube M6x30 |
| C1 Kabeldurchführung
(auf der Rückseite der Antenne) | S5 Halbrund-Vierkant-Halsschraube M6x50 (×3) |
| C2 PoE-Injektor | S6 U-Bolzen M6x85 (×2) |
| C3 Wasserdichte Kappe für RF-Stecker (×2)
(auf der Rückseite der Antenne) | N1 Geflanschte Mutter M6 (×7) |

Wie wird sie montiert?



Sie können die SELFAT>IP series ganz einfach montieren, wenn Sie diese Anleitung Schritt für Schritt befolgen.

Bevor Sie Ihre Antenne montieren, sollten Sie überprüfen, ob die SELFAT>IP series Verpackung alle Bauteile enthält, die oben unter "Lieferumfang" aufgeführt sind. Falls Teile fehlen sollten, kontaktieren Sie bitte Ihren Händler.

Schritt 1: Wo wird sie montiert?

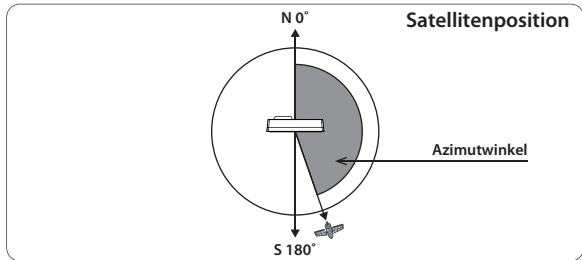
Um ein Satellitensignal zu empfangen, muss das SELFAT>IP series im Freien (außerhalb des Hauses oder der Wohnung), in Richtung des Satelliten zum Äquator hin, montiert werden. Dafür benötigen Sie einen Kompass um die SELFAT>IP series genau nach dem Satelliten auszurichten.

Anmerkung

Als Bezug nehmen Sie bitte die Tabelle der Azimut-Winkel, die auf den letzten Seiten dieser Bedienungsanleitung aufgeführt sind.



< Kompass >



Anmerkung

Um ein genaues Ablesen des Kompass zu garantieren, sollten Sie von großen Metallobjekten, insbesondere elektrischen Leitungen, fernbleiben und den Kompass mehrmals ablesen.

Stellen Sie sicher, dass sich keine Hindernisse, wie Gebäude oder Bäume, vor der SELFAT>IP series befinden, da dies die Qualität des Signalempfangs verringern kann. (Denken Sie daran, dass Bäume wachsen und das Signal blockieren können).

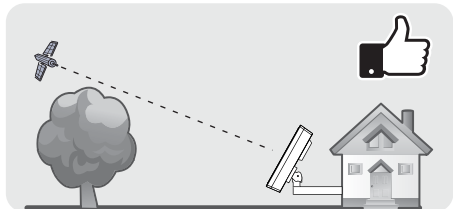
Um die Antenne einfach befestigen und reparieren zu können, sollten Sie einen leicht zugänglichen Ort, ohne irgendwelche Gefahren für die Montage, auswählen.

Überlegen Sie sich einen Weg, um Ihr Kabel auf diskrete Weise vom SELFAT>IP series zu Ihrer Set-Top-Box zu führen. Die Antenne sollte sich nicht zu weit entfernt von Ihrem Satellitenempfänger befinden; Mehr als 30 Meter Kabellänge können die Qualität des Signals vermindern.

Signal wird schlecht empfangen



Signal wird gut empfangen



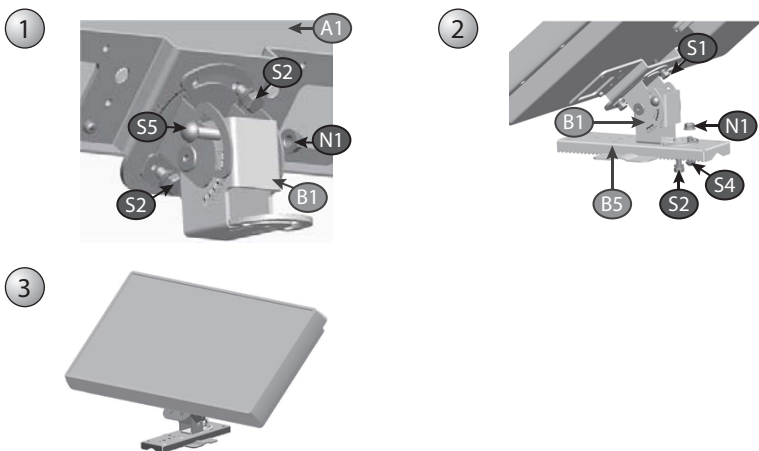
Schritt 2: Daten überprüfen

Um die Antenne zu montieren, müssen Sie die richtige Schrägstellung (Sky), Höhe (Elevation) und den Azimutwinkel mit Hilfe der Tabelle auf der Rückseite des Handbuchs ermitteln. Wenn Sie Ihren Ort nicht finden können, nehmen Sie bitte die Informationen des nächstgelegenen Ortes. Dieses Handbuch wird Ihnen die Montage am Beispiel des Empfangs des ASTRA1 Satelliten in der Region von Brest in Frankreich zeigen. Der Winkelinformation für die Region Brest: Schrägstellung -19,7, Höhe 30, Azimut: 149,6

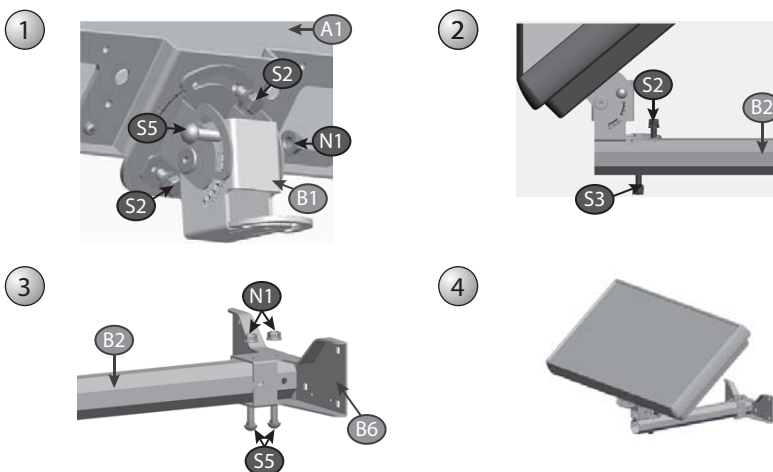
Schritt 3: Wahl der Installation

Abhängig von der Lage der Installation der SELFAT>IP series, können Sie sich jetzt für einen Montagetypen entscheiden, alle Einzelteile sind beigelegt.

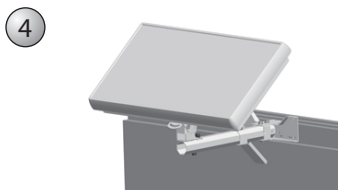
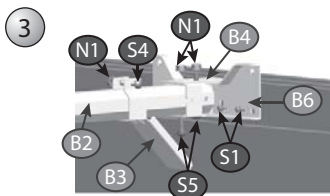
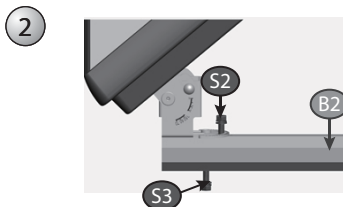
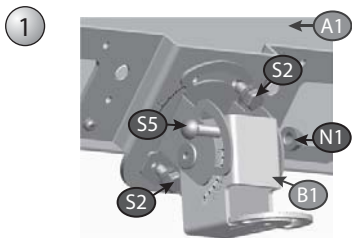
A) Tischstand-Typ (auf einer waagrechten Ebene)



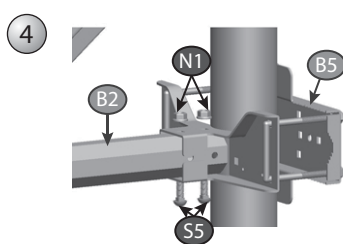
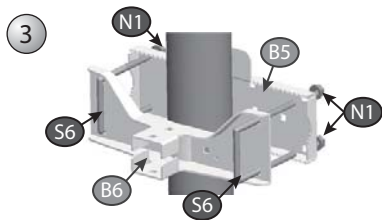
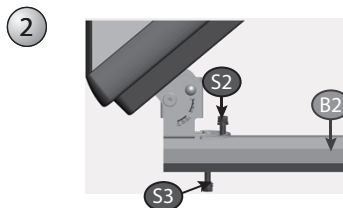
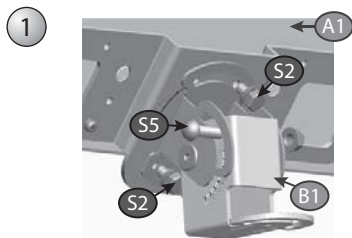
2) Wandmontage-Typ



3) Fenster-Typ

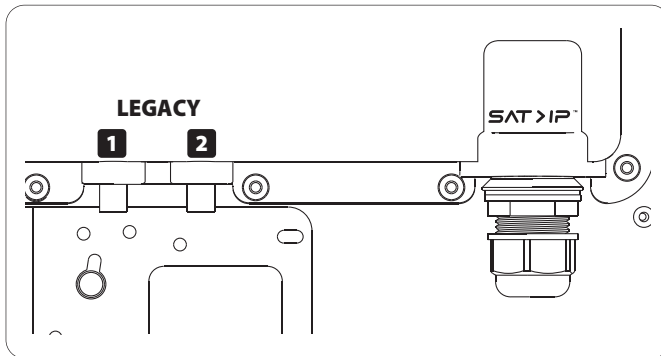


4) Balkonklammer-Typ



Schritt 4: SELFSAT>IP series Installations- und So verwenden

Die SELFSAT>IP series Antenne stellt zwei Schnittstellen zur Verfügung: Der Benutzer kann je nach Bedarf zwischen RF-Anschluss und RJ45-LAN-Anschluss auswählen.



Anmerkung

Der SELFSAT>IP series Antenne liegen Schutzkappen für die Schnittstellen bei. Bitte setzen Sie die Schutzkappen auf die Anschlüsse, wenn Sie die Schnittstellen nicht benutzen, um das Eindringen von Wasser zu verhindern. Heben Sie die Schutzkappe auf, wenn Sie die Schnittstelle verwenden und verlieren Sie sie nicht.

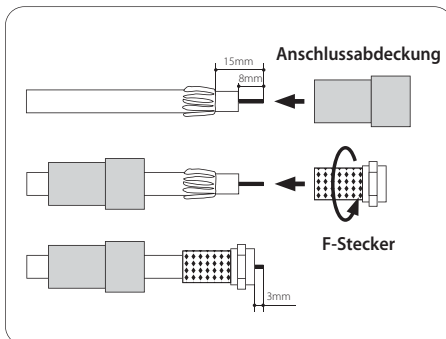
1) Verbinden Sie die SELFSAT>IP series Antenne mit Ihrer herkömmlichen DVB-S/S2 STB

Nachdem Sie die Antenne im Freien montiert haben oder sie so befestigt haben, wie Sie es wünschen, wird im nächsten Schritt alles miteinander verbunden.

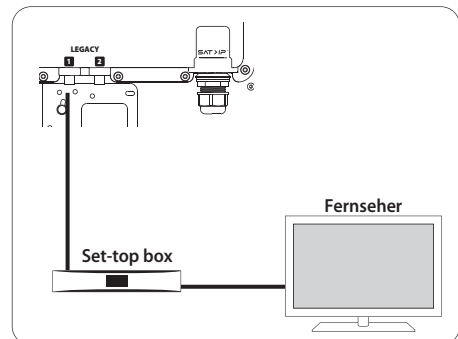
Um Ihre Lieblingsatellitenprogramme ansehen zu können, müssen Sie Ihre Satellitenantenne mit einem Empfänger durch ein Kabel verbinden. Das Kabel zwischen der Antenne und dem Satellitenempfänger sollte 30m nicht überschreiten, da sonst die Qualität des Signals abnehmen wird. Die Verwendung eines Kabel, das sehr lang oder von schlechter Qualität ist bzw. nicht isolierte Anschlüsse besitzt, kann eine Verminderung der Signalstärke verursachen, daher sollte Vorzugsweise ein RG6 Koaxialkabel (HF 17VATC oder 19VATC Kabel) benutzt werden, um Signalverluste zu minimieren.

Verbinden Sie einfach das koaxiale RF-Kabel vom Anschluss 1 oder Anschluss 2 der SELFSAT>IP series Antenne mit Ihrem DVB-S/S2 STB.

a. Wie ist das Kabel vorzubereiten?



b. Wie wird das Kabel mit der Antenne und der Set-Top-Box verbunden?

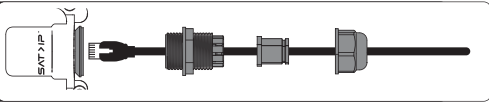
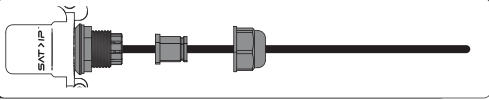



2) Verbinden Sie die SELFSAT>IP series Antenne mit Ihrem Heimnetzwerk

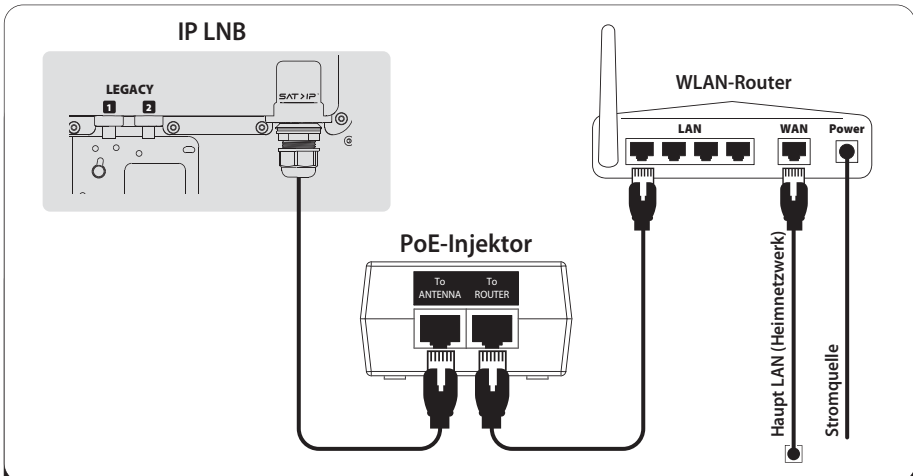
Die SELFSAT>IP series Antenne wird mit Ihrem Heimnetzwerk über ein normales Ethernetkabel [Cat5e oder besser] verbunden, weil das SELFSAT>IP series die SAT>IP Technologie verwendet, um das Satellitensignal in einen IP-Stream umzuwandeln.

Ein PoE (Power over Ethernet) Injektor ist notwendig, um das SELFSAT>IP series mit Strom zu versorgen. Bitte folgen Sie dem Diagramm unten, um das LAN-Kabel von der SELFSAT>IP series Antenne mit dem PoE-Injektor und vom Injektor mit Ihrem Heimrouter zu verbinden.

a. Wie wird das Ethernet-Kabel mit der Antenne verbunden?

1		<p>Nachdem Sie die Kabelverschlüsse entfernt haben, stöpseln Sie das Ethernet-Kabel wie auf dem Bild zu sehen ein</p>
2		<p>Verbinden Sie die Antenne und das Kabel</p>
3		<p>Ziehen Sie die Kabeldurchführung fest, um das Eindringen von Wasser zu verhindern</p>

b. Wie wird die Antenne mit dem PoE-Injektor und dem WLAN-Router verbunden?



Warnung

Bitte vergewissern Sie sich, dass Sie es mit dem richtigen Anschluss verbunden haben. Eine falsche Verbindung des PoE kann zu Schäden an Ihrem Router oder Netzschalter führen.

Hinweis

Bitte verwenden Sie den LAN-Anschluss nur zur Verbindung mit dem SELFSAT>IP series. Der WAN-Anschluss wird zur Verbindung mit dem Internet benutzt.

Hinweis

SELSAT>IP series-Antenne verfügt über eine eigene MAC-Adresse.
Die MAC-Adresse kann von der Rückseite des beiliegenden Bedienungsanleitung.

Hinweis

Einrichtung des Netzwerks:

Da die digitale Videoübertragung eine stabile und schnelle Netzwerkumgebung (LAN/WLAN) benötigt, braucht die SAT>IP Technologie in Ihrem SELFSAT>IP series Produkt einen stabilen und leistungsstarken WLAN-Router, um bei der Benutzung durch mehrere simultane Nutzer im WLAN funktionieren zu können. Es wird empfohlen SELFSAT>IP series mit einem Router mit 802.11ac oder besser zu verwenden, um eine gute Leistung zu erzielen.

Wenn Sie etwas Schlechteres als einen 802.11ac Router verwenden, kann SELFSAT>IP series nicht optimal betrieben werden.

Wir empfehlen Kunden mit 802.11ac Routern, die zwei Frequenzen 2.4GHz und 5GHz (SSID) am Router auszuprobieren, um festzustellen, welche Frequenz eine bessere Verbindung bietet und bei dieser zu bleiben. Mit dieser Konfiguration kann der Verbraucher dann die beste Leistung des SELFSAT>IP series über WLAN genießen.

3) Satelliten-Suche und der Befestigung des Antennen

Nachdem alles verbunden ist, schalten Sie den Fernseher und den Satellitenempfänger ein.

Wählen Sie das Menü für die Antennenausrichtung auf Ihrer Set-Top-Box aus.

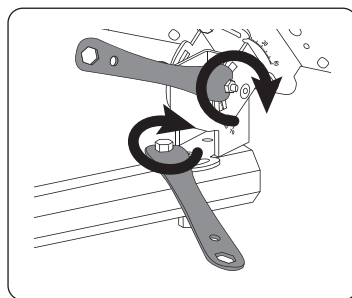
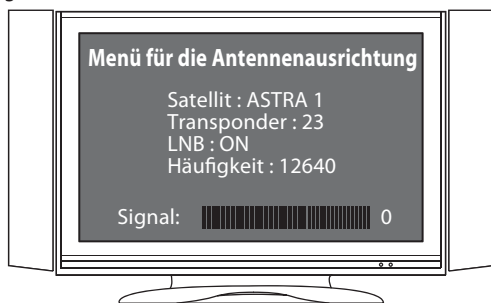
Sie können die Signalstärke auf Ihrem Fernsehapparat überprüfen.

Stellen Sie sicher, das „LNB: EIN“ ausgewählt ist.

Sie werden jemanden vor dem Fernseher brauchen, um Ihnen mitzuteilen, wenn das Signal „gut“ ist, während Sie draußen die Antenne bestmöglich ausrichten.

Die Signalstärke und Qualität sind auf dem Fernsehbildschirm dargestellt und werden schwanken und die Farbe wechseln, je nach Einstellung & Bewegung der Antenne während Sie die Ausrichtung vornehmen (Azimutwinkel, Höhenwinkel).

Die Balkenhöhe zeigt die Stärke des Signals an und die Farbe die Signalempfangsqualität des gewählten Satelliten.



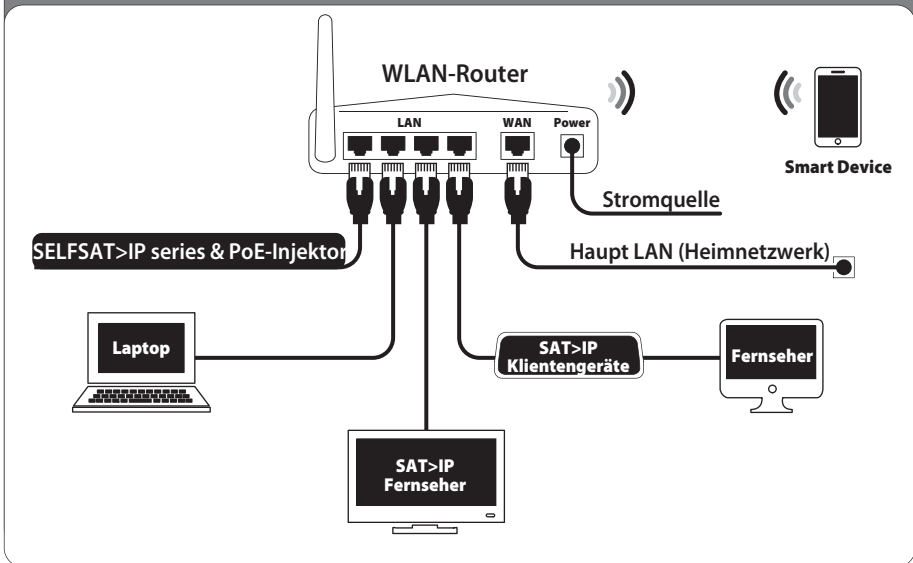
4) SELFSAT>IP series (SAT>IP) Klientengeräte

Der SELFSAT>IP series Klient kann entweder mit einer Softwareanwendung oder einem STB-Gerät verwendet werden, um den SELFSAT>IP series IP-Stream zu empfangen.

Die SAT>IP App für Tablets oder Smartphones kann im Apple Store oder auf Google Play gefunden werden. Fernsehgeräte werden entweder mit der integrierten SAT>IP Software ausgeliefert oder benötigen separate Hardware (STB, Set-Top-Box), die mit dem Fernseher verbunden wird.

Sie können anfangs den LAN-Anschluss Ihres derzeitigen Routers und des verbundenen SAT>IP Klienten (z.B. ein SES SAT>IP zertifizierter IP-STB) verwenden, um das SELFSAT>IP series im LAN-Netzwerk zu nutzen. Da ein physisch verkabeltes LAN-Netzwerk für eine stabile und dedizierte Verbindung/Bandbreite im LAN-Netzwerk sorgt, kann der Kunde die SAT>IP Technologie der SELFSAT>IP series Antenne ganz einfach verwenden.

SELSAT>IP series Verwendungsbeispiel



a. Wie wird die App für iOS/Android Smartphones und Tablets heruntergeladen und benutzt?

1. Laden Sie die SAT>IP App (z.B. „Elgato SAT>IP“) aus dem Apple Store oder von Google Play herunter.
- Die SAT>IP App erlaubt Ihnen unverschlüsselte Programme zu empfangen.
2. Installieren Sie die App auf Ihrem iOS- oder Android-Gerät.
3. Starten Sie die App.

b. Wie wird der PC-Viewer benutzt?

Mit dem Microsoft Windows® Betriebssystem:

Sie können eine kostenlose Version des Programms „DVBViewer“ (www.satip.info) verwenden. In dem Optionsmenü können Sie Ihren SAT>IP Server auswählen und die Einstellungen ändern.

Hinweis

- Bitte ziehen Sie die Kurzanleitung zu Rate für detaillierte Informationen.
- Wenn Sie die neusten Informationen zu SAT>IP Anwendungen und PC-Programmen benötigen, gehen Sie auf: www.satip.info.

Störungsbehebungs-Prüfliste für die Erstmontage



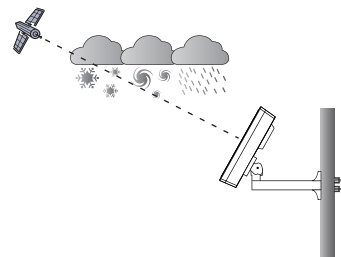
Wenn das Signal nicht gefunden wird, dann stellen Sie sicher, dass die Anweisungen in der Empfänger-Bedienungsanleitung und der Antennen-Bedienungsanleitung genau befolgt worden sind, dazu prüfen Sie bitte Folgendes:

- Stellen Sie sicher, dass alle Kabelverbindungen korrekt sind und jede Verbindung sitzt / richtig angezogen ist.
- Überprüfen Sie das Innere der einzelnen Steckverbinder auf Schmutz oder mögliche Kurzschlüsse des Gehäuses oder der Abschirmung.
- Verifizieren Sie, dass Azimut-, Höhen- und Neigungswinkel zu Ihrer Postleitzahl passen.
- Vergewissern Sie sich, dass die Neigungs- und Erhebungsanzeiger richtig zu den Skalen ausgerichtet sind. Benutzen Sie nicht die Unterlegscheiben oder Schrauben als Referenz.
- Vergewissern Sie sich, dass die Neigungseinstellung nicht von der empfohlenen Einstellung für den Ort der Antenne abweicht.
- Entfernen Sie Fernsehgerät-spezifische Teile, wie zum Beispiel TV-Splitter, usw.; verringern Sie den Aufbau auf die grundlegendsten Verbindungen, wie in dieser Anleitung beschrieben. Solche Komponenten können möglicherweise nicht zusammen mit dem Satellitensignal betrieben werden und könnten sich in einer Wand befinden, wo sie nicht zu sehen sind. Wenn Sie Zweifel haben, legen Sie ein RG-6 Kabel direkt zu Ihrem Empfänger.
- Stellen Sie sicher, dass keine Hindernisse das Signal blockieren (Bäume, Gebäude, Fenster, Ecken oder Dachüberhänge, Ihr Körper oder Ihre Hände) – das Signal kann Blätter, Äste, Glas usw. nicht durchdringen.
- Ein RG-6 Kabel mit Kupferkernleiter wird sehr empfohlen, da es einen viel geringeren Spannungsabfall als ein RG-6 Kabel mit kupferbeschichteten, Stahlkernleiter hat.
- Ein normales RG-59 Kabel verursacht einen zu großen Spannungs- und Signalabfall; es kann nicht zur Weiterleitung des Satellitensignals verwendet werden. RG-6 Koaxialkabel müssen benutzt werden.
- Einige Zusatzkomponenten aus dem Zubehörmarkt können sich anders als beworben verhalten. Entweder funktionieren sie nicht oder verursachen einen zusätzlichen Spannungsabfall und Signalabschwächung. Entfernen Sie solche Komponenten, gehen Sie zurück zu den grundlegendsten Verbindungen, wie in dieser Anleitung beschrieben.
- Vergewissern Sie sich, dass das Satellitenkabel mit dem „Sat In“ Anschluss verbunden ist und nicht mit dem „Antenna In“ Anschluss. Der „Antenna In“ Anschluss auf der Rückseite des Receivers dient dem Anschluss einer „Off-Air“-Antenne oder dem Kabelfernsehen.
- Falls dies alles korrekt erfolgt ist, aber immer noch kein Signal empfangen wird, verändern Sie den Erhöhungswinkel der Antenne leicht ($\pm 2^\circ$), dann $\pm 4^\circ$ ausgehend von den geforderten Einstellungen) und wiederholen Sie den Vorgang.
- Stellen Sie sicher, dass die Access-Karte Ihres Receivers komplett im Access-Karten-Schacht eingeführt ist und die Ausrichtung stimmt.

Signal Verlust / Regen-Verblässung



- Das Satellitensignal kann aufgrund eines ungewöhnlich starken Regenfalls vorübergehend unterbrochen werden. Eine optimal abgestimmte Antenne zusammen mit einem kurzen Kabel minimiert die Wahrscheinlichkeit von Regen-Verblässung.
- Stellen Sie sicher, dass die Antenne ordnungsgemäß montiert ist, um Abweichungen durch starken Wind zu verhindern.
- Schneemassen auf der Antenne können die Satellitensignalarstärke verringern; Schnee sollte so bald wie möglich entfernt werden.
- Blattwerk, das in die Sichtlinie des Satelliten wächst, kann zu allmählichem Bildverlust führen.



Montage mit einem langen Kabel

- Für Aufbauten, bei denen das RG-6 Kabel von Empfänger(n) zum LNB mehr als 30 Meter (45 Meter und mehr) lang ist, wie in einem Gewerbebetrieb oder einem Mehrfamilienhaus, müssen Sie ein AC-Power-Booster-Modul benutzen.
 - Zusätzlich benötigen Sie auch einen zusätzlichen RF-Signalverstärker, um den Signalpegelverlust zu kompensieren.
- Ansonsten wird Ihre Antenne und Ihr Empfänger nicht korrekt arbeiten und kann bei ungünstigem Wetter häufig ausfallen. Kontaktieren Sie einen Fachmann bei solchen Montagen.