

# BZ07



**BEZZERA**

Dal 1901

**COD. 9942035.05**

**REV.00**



TABLE 1

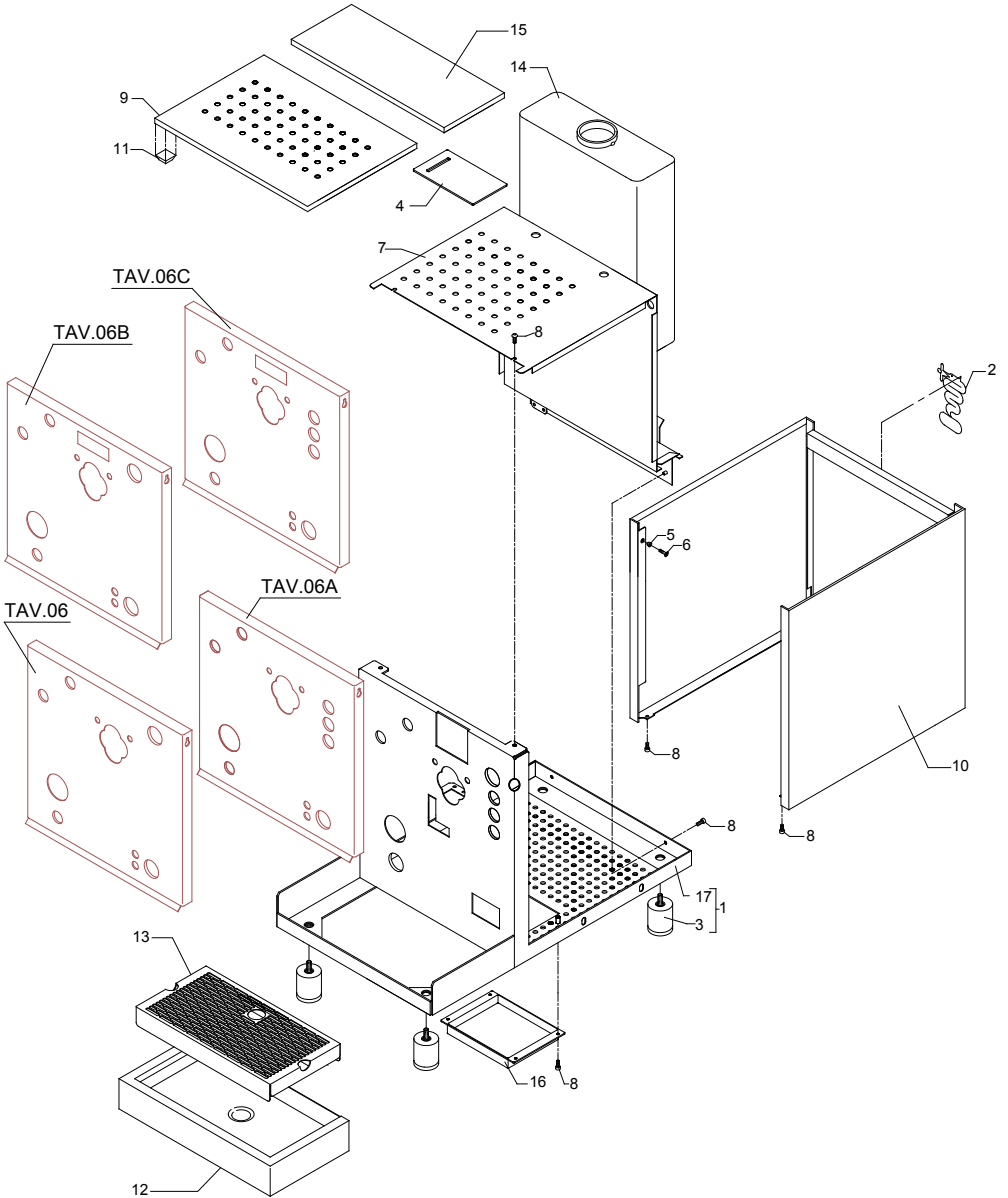




TABLE 2 (up to 30.09.08)

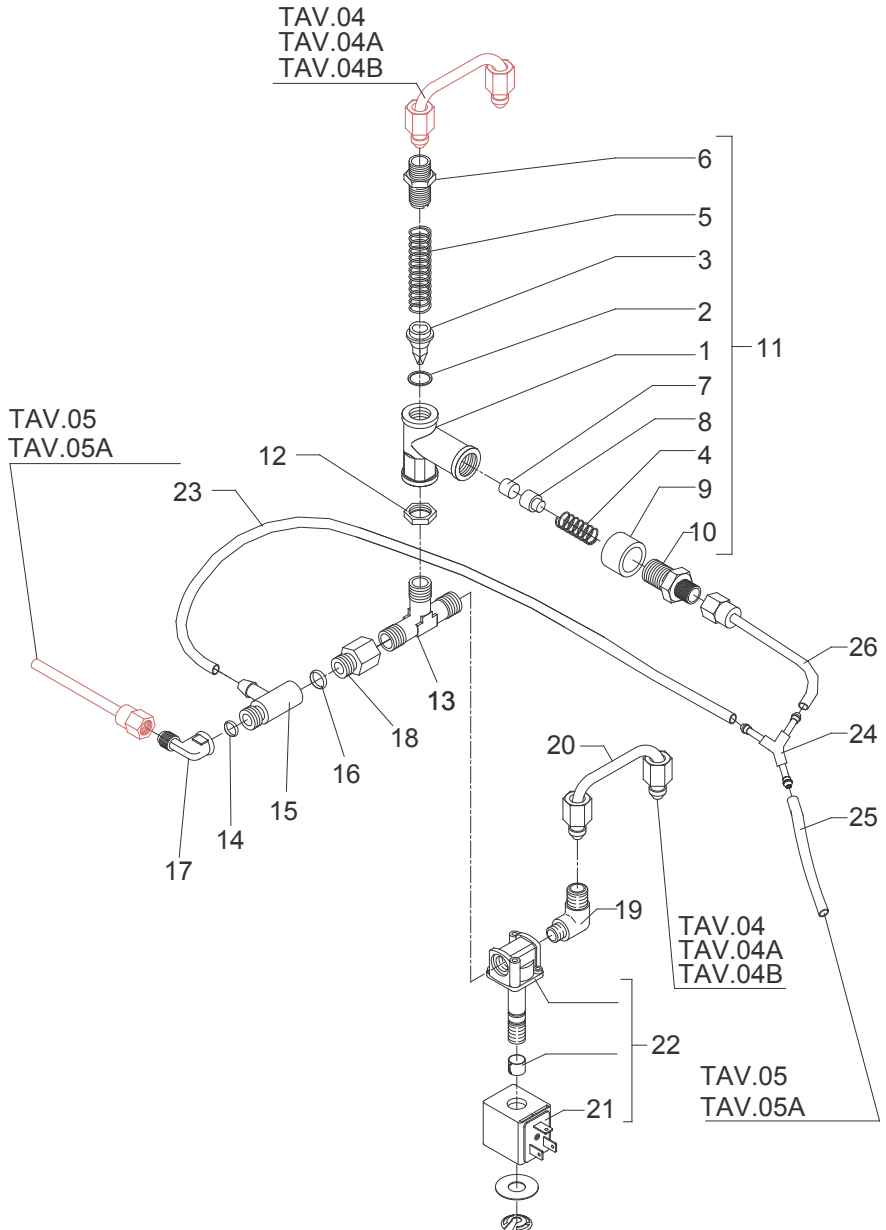




TABLE 2 (up to 18.03.13)

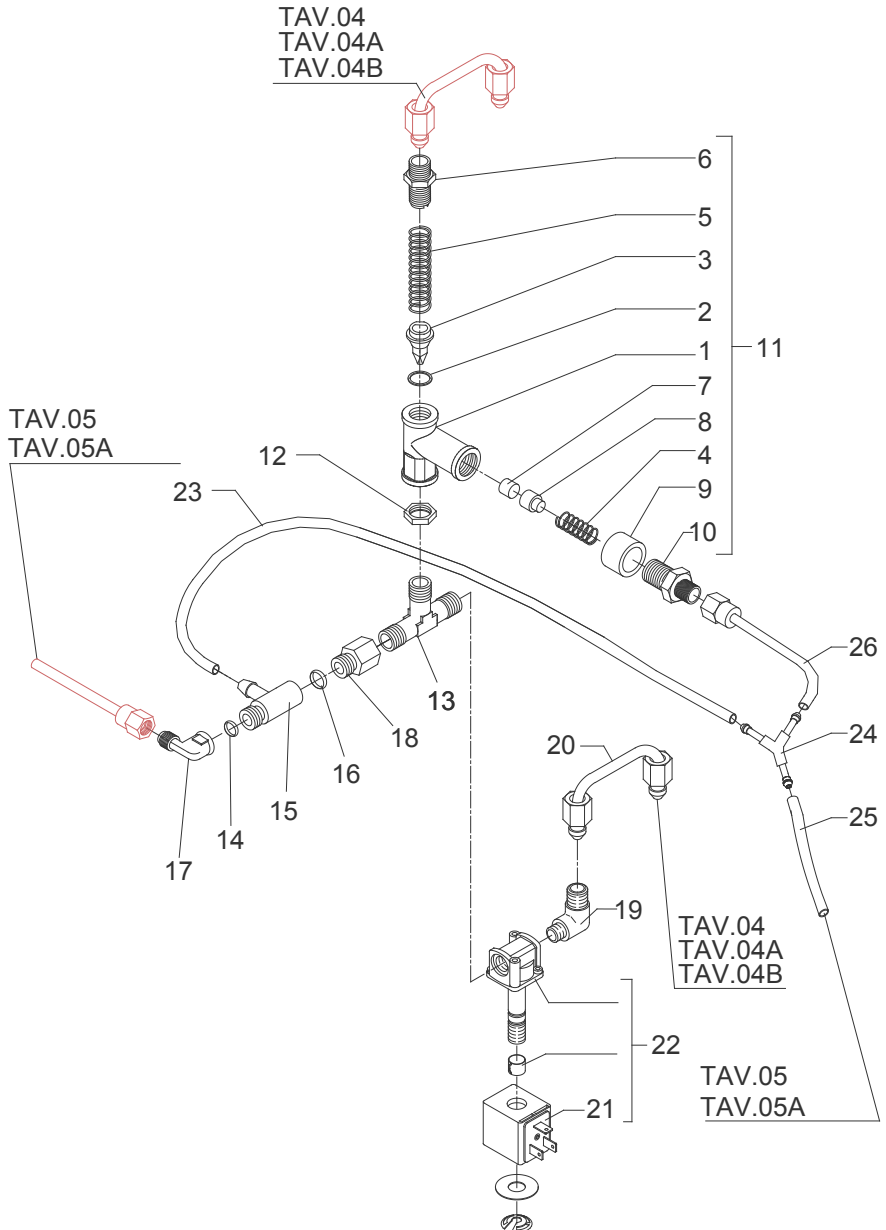
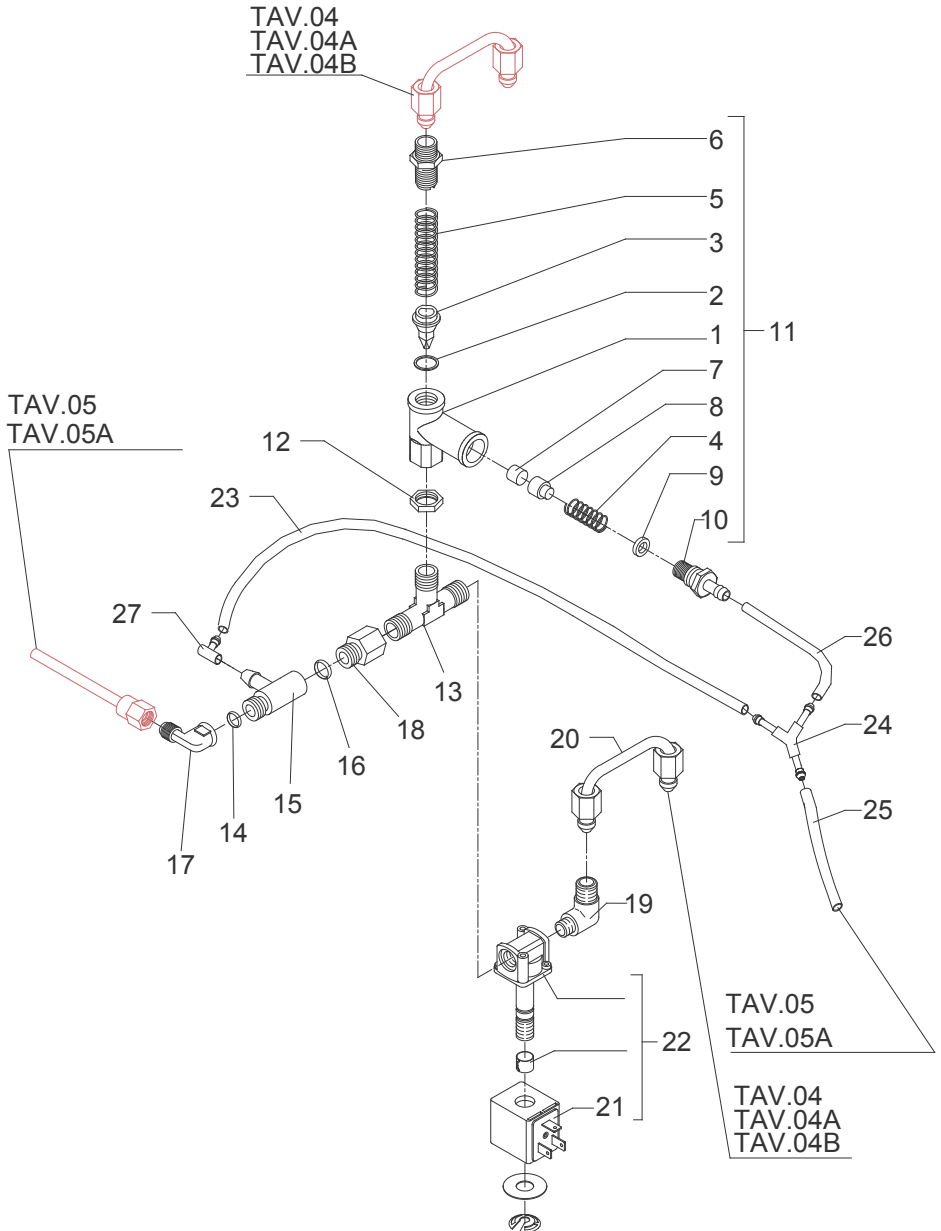






TABLE 2 (from 19.03.13)



	<b>POS</b>	<b>CODE</b>	<b>DESCRIPTION</b>
<b>TABLE 3 (up to 30.11.08)</b>	1	7371511.01	LEVER KNOB
	2	5222823EC	RING NUT 3/8"G H17
	3	5225608	ARTICULATION M8 INOX
	4	5260203DL	SHAFT D12X47
	5	5471513	SPRING
	6	5261801	WASHER D11
	7	5494004	GASKET D12 X 6 PTFE GRAPHITIZED
	8	5221826EC	NUT 3/8"G ES.22X5
	9	5283047TW	TAP BODY OT
	10	5496042	GASKET D11X4X4 EPT 70 (C6)
	11	5224603TP	GASKET-HOLDER
	12	5964084AL	ASSEMBLY TAP
	13	5225410TP	FITTING M14XM13 H26
	14	5966548AL	ASSEMBLY WATER HOSE
	15	7496072	OR GASKET 121
	16	5471532	SPRING
	17	5220606TP	COMPLETE CUP
	18	5221872TW	NUT 3/8"G
	19	7496073	OR GASKET 115 EP856
	20	5225607TW	WATER HOSE CHROMED
	21	7496003	OR GASKET 108 VITON
	22	5226610TW	WATER HOSE TERMINAL D23.5X18 OT CHROMED
	23	5493003	GASKET D20.5X15 H1.5 NBR 70SH
	24	5226601TW	WATER HOSE TERMINAL D23.5 H16 OT CHROMED
	25	7479958	ASSEMBLY STEAM HOSE TERMINAL 4 HOLES
	26	7371003	INSULATING
	27	7496083	OR GASKET D4.5X1.5 NBR 70
	28	7305010	TERMINAL 4 HOLES
	29	7305013	TERMINAL 2 HOLES
	30	7479975	ASSEMBLY STEAM HOSE TERMINAL 2 HOLES
	31	5221872TW	NUT 3/8"G
	32	7496073	OR GASKET 115 EP856
	33	5963097	ASSEMBLY HEATING ELEMENT 110V 50W
	33	5963098	ASSEMBLY HEATING ELEMENT 230V 50W
	34	5221863CM	CAP NUT M8 ES.14 H17 OT CHROMED
	35	7816014	SCREW M8X20 UNI5931 A2
	36	7816001	SCREW TCEI M5X12 UNI 5931 A2
	37	5283046TW	DELIVERY GROUP BODY
	38	7496004	OR GASKET 139 VITON
	39	5280502TW	COUPLING RING CHROMED
	40	7493016	GASKET H 9,3 NBR 75SH
	41	5285501TP	SHOWER-HOLDER D57OT
	42	5470501	SHOWER D57 AISI 304
	43	7817001	SCREW TPS M5X16 DIN 963 A2
	44	5963548.01AL	ASSEMBLY DELIVERY GROUP
45	7634808	THERMIC SAFETY DEVICE 250V 95°C AUTOMATIC	

TABLE 3 (up to 30.11.08)

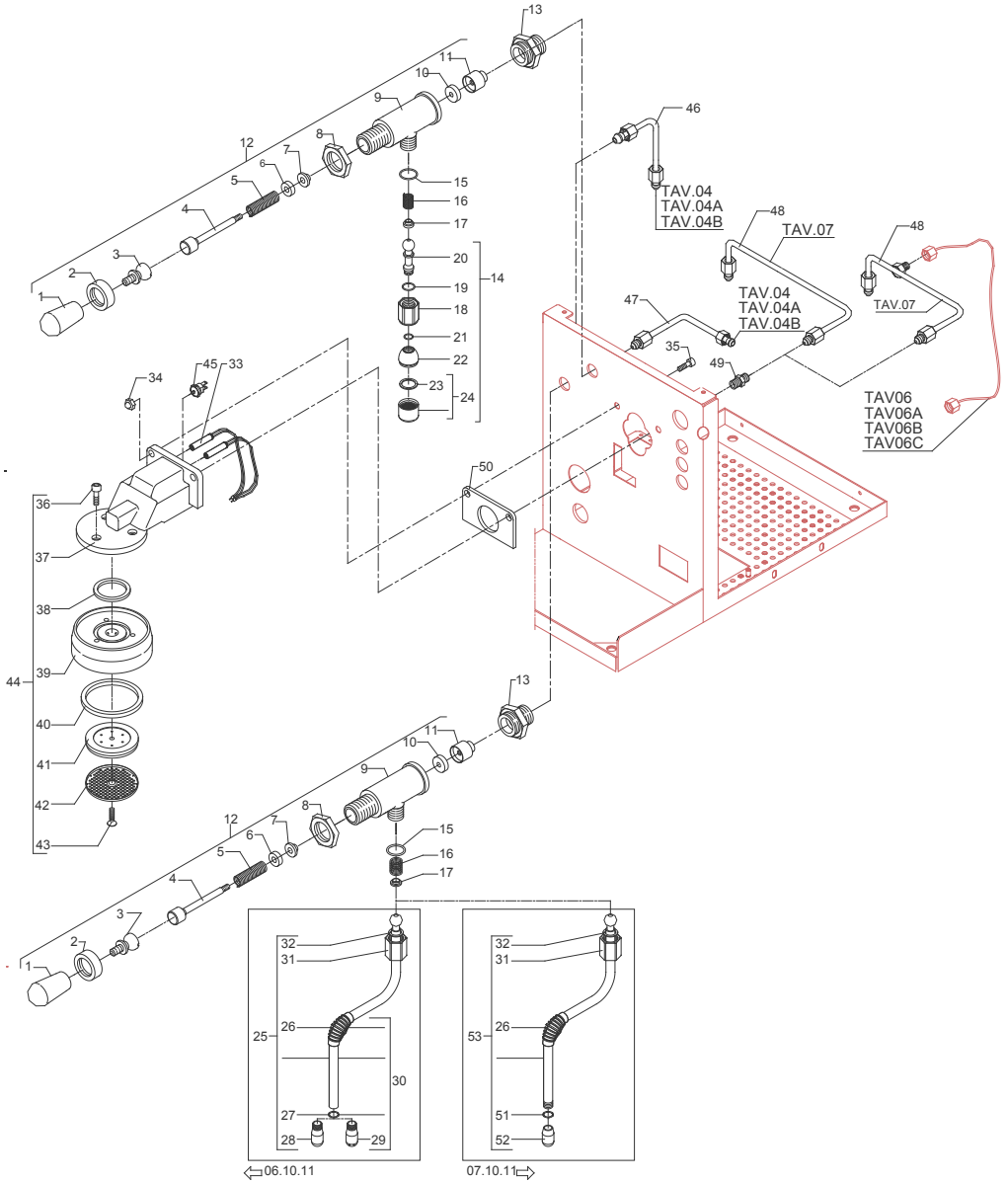
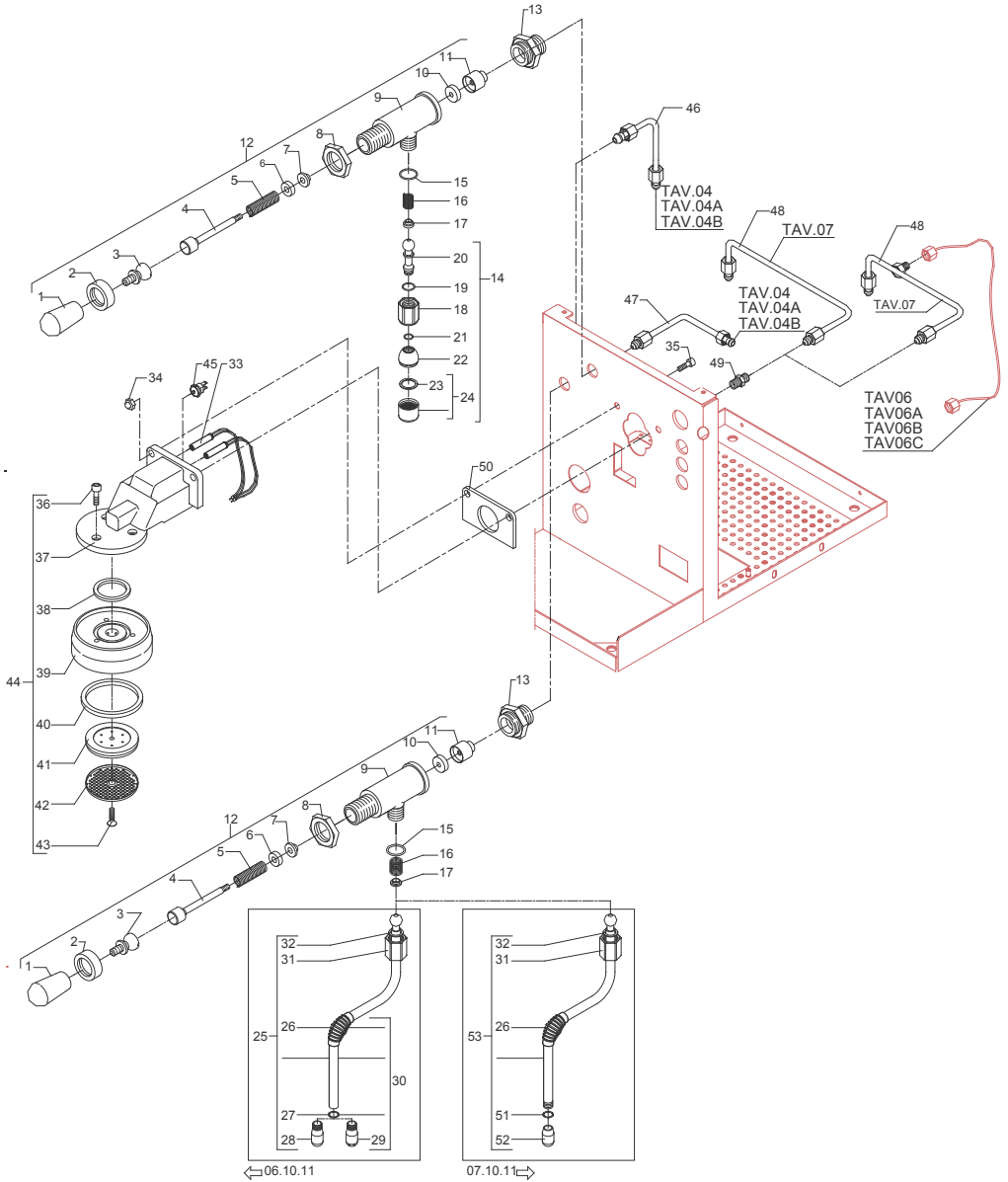


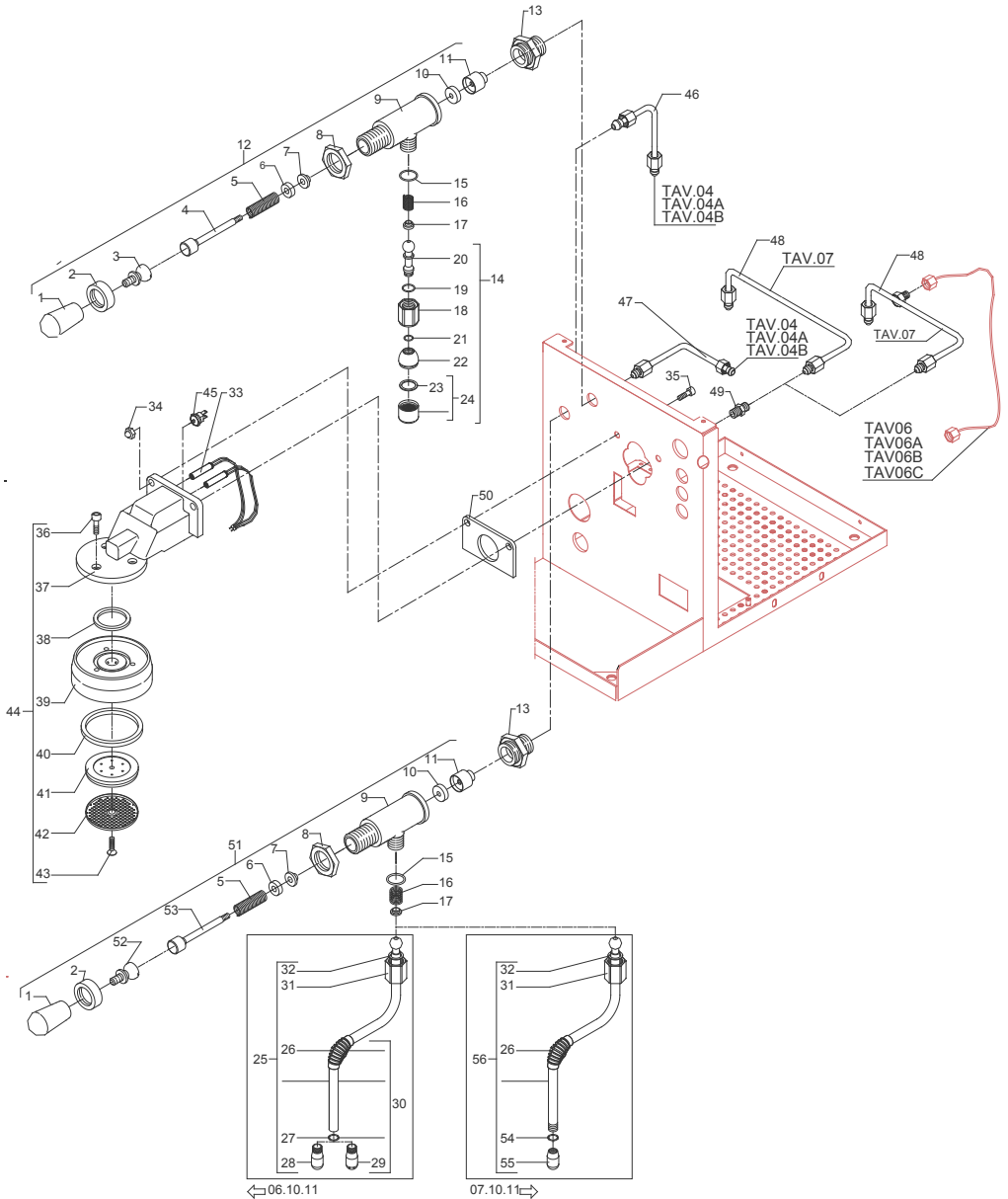


TABLE 3 (up to 30.11.08)



	<b>POS</b>	<b>CODE</b>	<b>DESCRIPTION</b>
<b>TABLE 3 (up to 31.12.11)</b>	1	7371511.01	LEVER KNOB
	2	5222823EC	RING NUT 3/8"G H17
	3	5225608	ARTICULATION M8 INOX
	4	5260203DL	SHAFT D12X47
	5	5471513	SPRING
	6	5261801	WASHER D11
	7	5494004	GASKET D12 X 6 PTFE GRAPHITIZED
	8	5221826EC	NUT 3/8"G ES.22X5
	9	5283047TW	TAP BODY OT
	10	5496042	GASKET D11X4X4 EPT 70 (C6)
	11	5224603TP	GASKET-HOLDER
	12	5964084AL	ASSEMBLY TAP
	13	5225410TP	FITTING M14XM13 H26
	14	5966548AL	ASSEMBLY WATER HOSE
	15	7496072	OR GASKET 121
	16	5471532	SPRING
	17	5220606TP	COMPLETE CUP
	18	5221872TW	NUT 3/8"G
	19	7496073	OR GASKET 115 EP856
	20	5225607TW	WATER HOSE CHROMED
	21	7496003	OR GASKET 108 VITON
	22	5226610TW	WATER HOSE TERMINAL D23.5X18 OT CHROMED
	23	5493003	GASKET D20.5X15 H1.5 NBR 70SH
	24	5226601TW	WATER HOSE TERMINAL D23.5 H16 OT CHROMED
	25	7479958	ASSEMBLY STEAM HOSE TERMINAL 4 HOLES
	26	7371003	INSULATING
	27	7496083	OR GASKET D4.5X1.5 NBR 70
	28	7305010	TERMINAL 4 HOLES
	29	7305013	TERMINAL 2 HOLES
	30	7479975	ASSEMBLY STEAM HOSE TERMINAL 2 HOLES
	31	5221872TW	NUT 3/8"G
	32	7496073	OR GASKET 115 EP856
	33	5963097	ASSEMBLY HEATING ELEMENT 110V 50W
	33	5963098	ASSEMBLY HEATING ELEMENT 230V 50W
	34	5221863CM	CAP NUT M8 ES.14 H17 OT CHROMED
	35	7816014	SCREW M8X20 UNI5931 A2
	36	7816001	SCREW TCEI M5X12 UNI 5931 A2
	37	5283046TW	DELIVERY GROUP BODY
	38	7496004	OR GASKET 139 VITON
	39	5280502TW	COUPLING RING CHROMED
	40	7493016	GASKET H 9,3 NBR 75SH
	41	5285501TP	SHOWER-HOLDER D57OT
	42	5470501	SHOWER D57 AISI 304
	43	7817001	SCREW TPS M5X16 DIN 963 A2
	44	5963548.01AL	ASSEMBLY DELIVERY GROUP
45	7634808	THERMIC SAFETY DEVICE 250V 95°C AUTOMATIC	

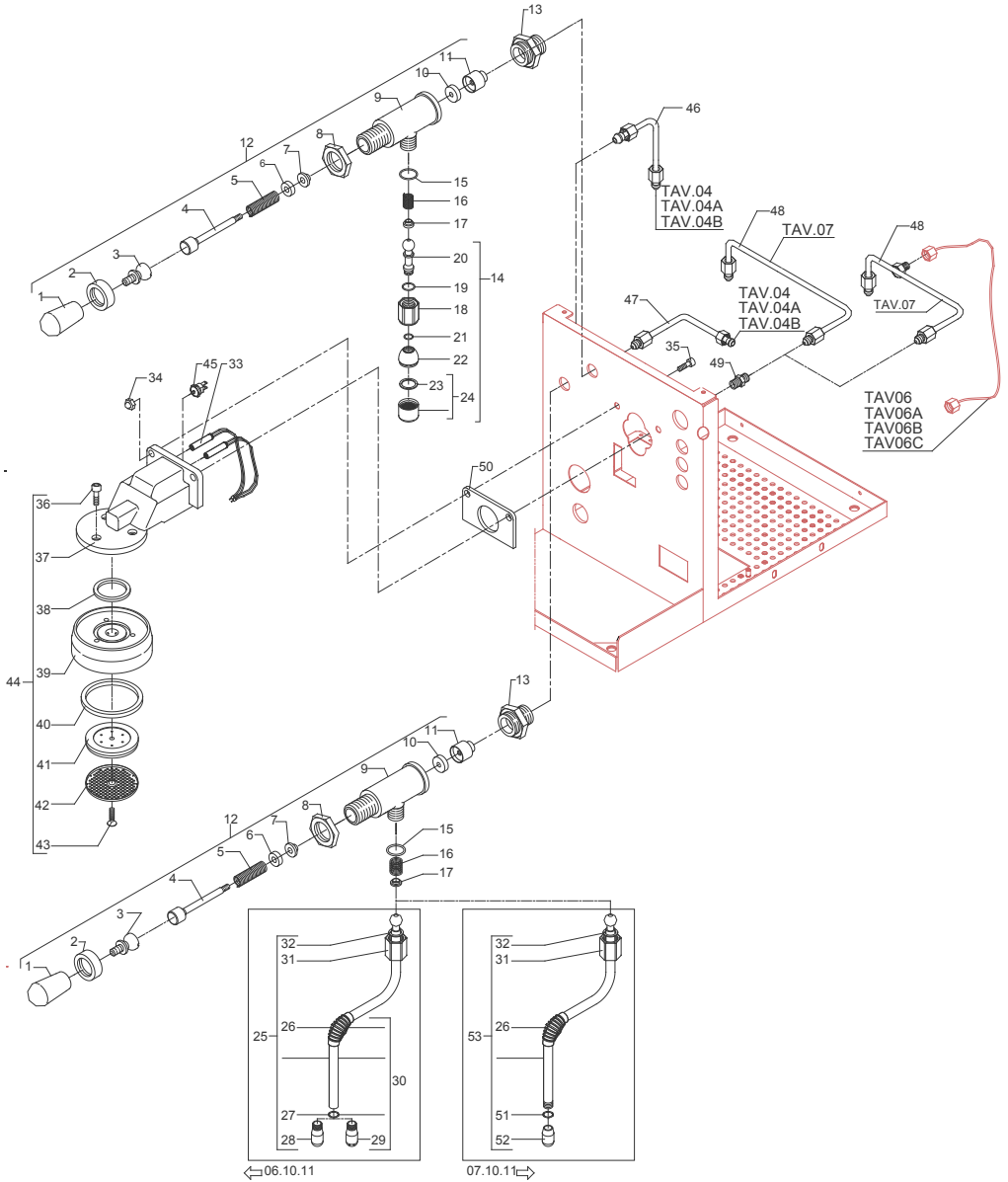
TABLE 3 (up to 31.12.11)







**TABLE 3 (up to 31.12.11)**



	<b>POS</b>	<b>CODE</b>	<b>DESCRIPTION</b>
<b>TABLE 3 (from 01.01.12)</b>	1	7371511.01	LEVER KNOB
	2	5222823EC	RING NUT 3/8"G H17
	3	5225608	ARTICULATION M8 INOX
	4	5260203DL	SHAFT D12X47
	5	5471513	SPRING
	6	5261801	WASHER D11
	7	5494004	GASKET D12 X 6 PTFE GRAPHITIZED
	8	5221826EC	NUT 3/8"G ES.22X5
	9	5283047TW	TAP BODY OT
	10	5496042	GASKET D11X4X4 EPT 70 (C6)
	11	5224603TP	GASKET-HOLDER
	12	5964084AL	ASSEMBLY TAP
	13	5225410TP	FITTING M14XM13 H26
	14	5966548AL	ASSEMBLY WATER HOSE
	15	7496072	OR GASKET 121
	16	5471532	SPRING
	17	5220606TP	COMPLETE CUP
	18	5221872TW	NUT 3/8"G
	19	7496073	OR GASKET 115 EP856
	20	5225607TW	WATER HOSE CHROMED
	21	7496003	OR GASKET 108 VITON
	22	5226610TW	WATER HOSE TERMINAL D23.5X18 OT CHROMED
	23	5493003	GASKET D20.5X15 H1.5 NBR 70SH
	24	5226601TW	WATER HOSE TERMINAL D23.5 H16 OT CHROMED
	25	7479958	ASSEMBLY STEAM HOSE TERMINAL 4 HOLES
	26	7371003	INSULATING
	27	7496083	OR GASKET D4.5X1.5 NBR 70
	28	7305010	TERMINAL 4 HOLES
	29	7305013	TERMINAL 2 HOLES
	30	7479975	ASSEMBLY STEAM HOSE TERMINAL 2 HOLES
	31	5221872TW	NUT 3/8"G
	32	7496073	OR GASKET 115 EP856
	33	5963097	ASSEMBLY HEATING ELEMENT 110V 50W
	33	5963098	ASSEMBLY HEATING ELEMENT 230V 50W
	34	5221863CM	CAP NUT M8 ES.14 H17 OT CHROMED
	35	7816014	SCREW M8X20 UNI5931 A2
	36	7816001	SCREW TCEI M5X12 UNI 5931 A2
	37	5283046TW	DELIVERY GROUP BODY
	38	7496004	OR GASKET 139 VITON
	39	5280502TW	COUPLING RING CHROMED
	40	7493016	GASKET H 9,3 NBR 75SH
	41	5285501TP	SHOWER-HOLDER D57OT
	42	5470501	SHOWER D57 AISI 304
	43	7817001	SCREW TPS M5X16 DIN 963 A2
	44	5963548.01AL	ASSEMBLY DELIVERY GROUP
45	7634808	THERMIC SAFETY DEVICE 250V 95°C AUTOMATIC	

TABLE 3 (from 01.01.12)

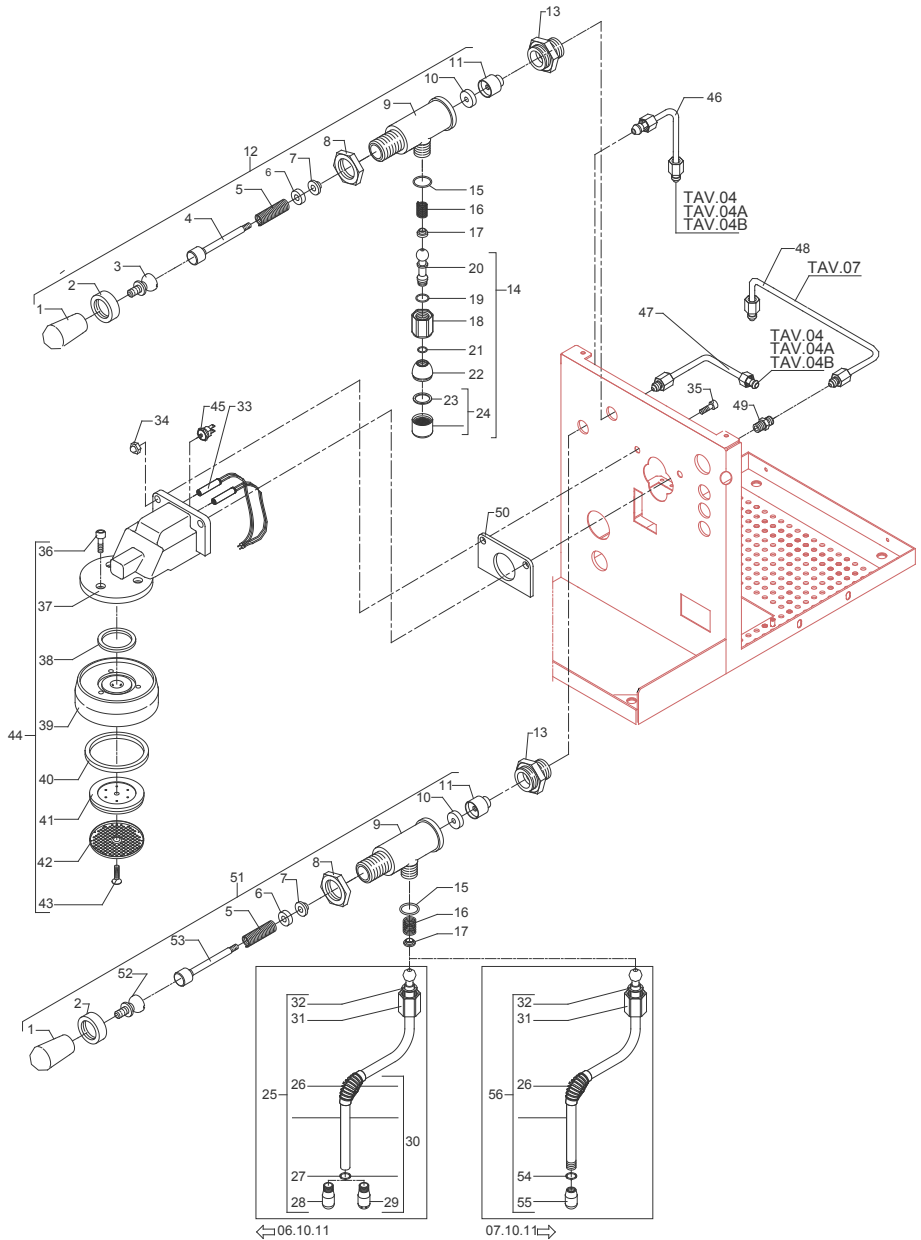




TABLE 3 (from 01.01.12)

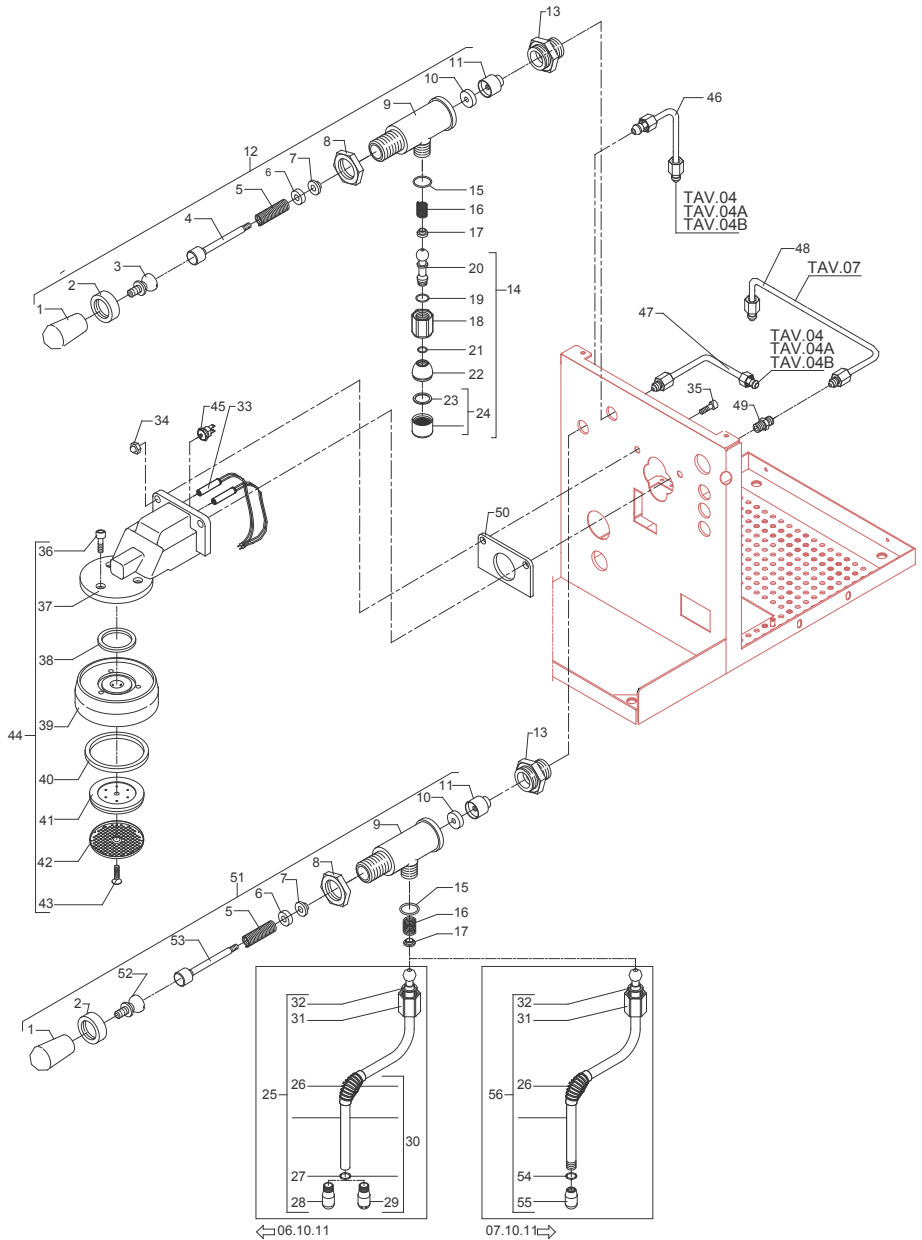
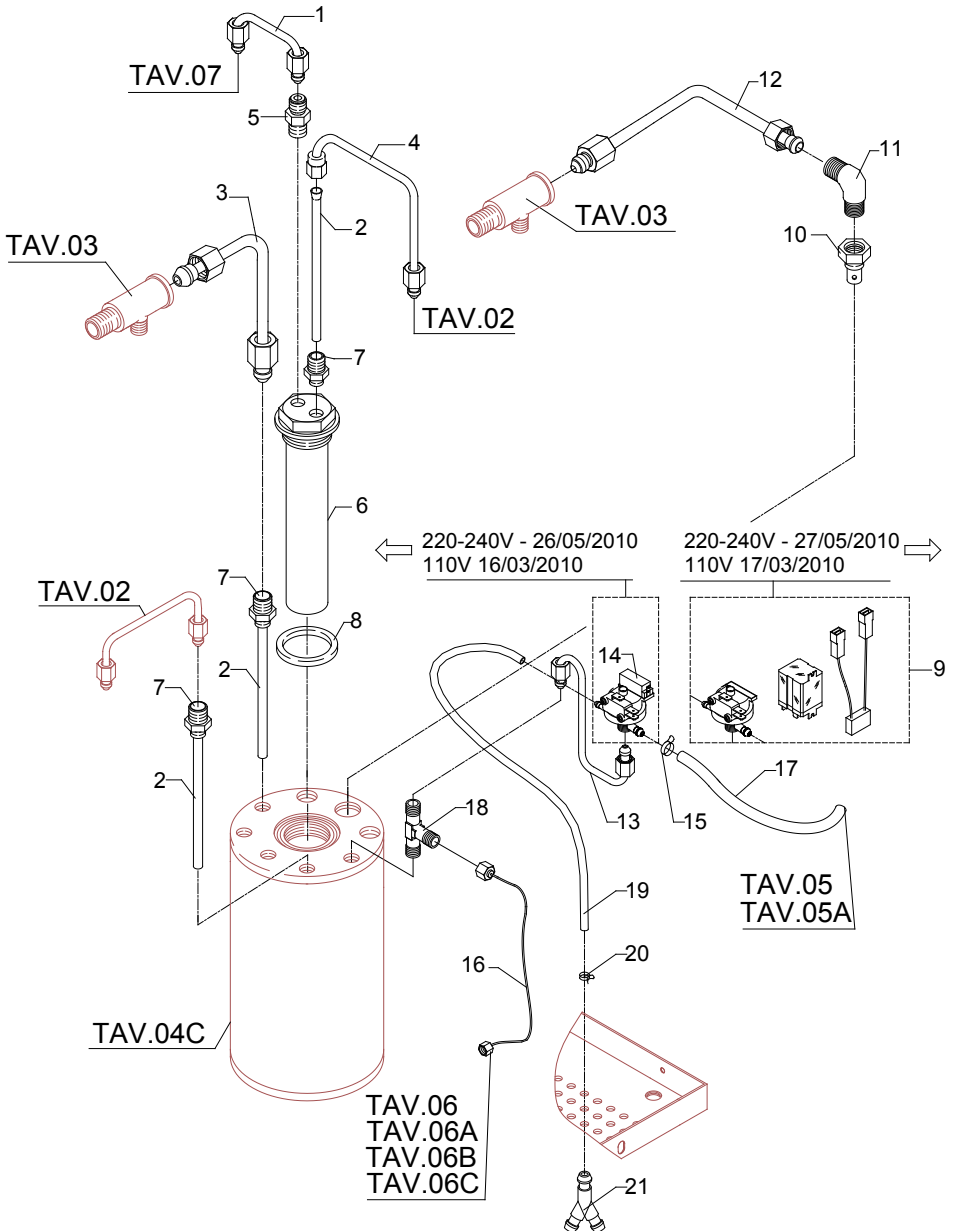




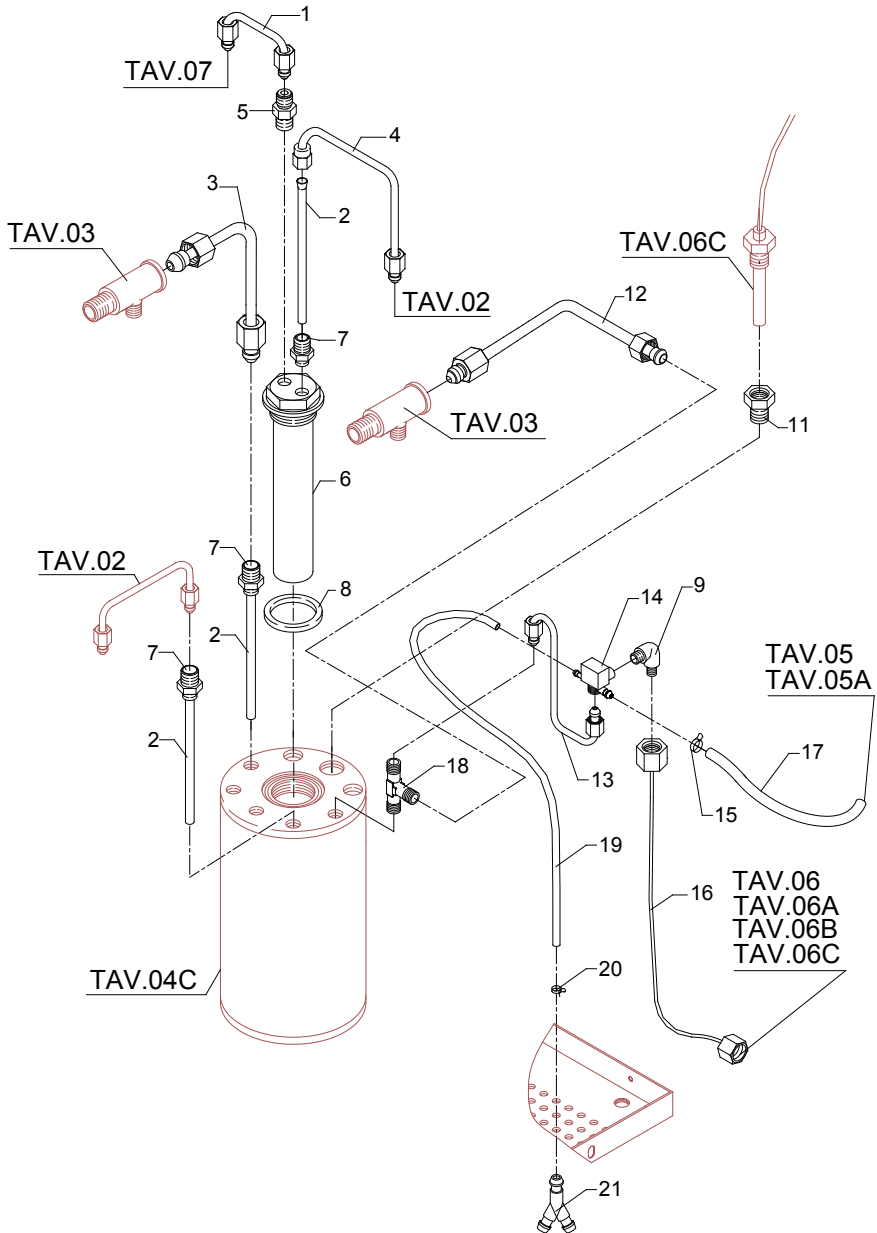
TABLE 4





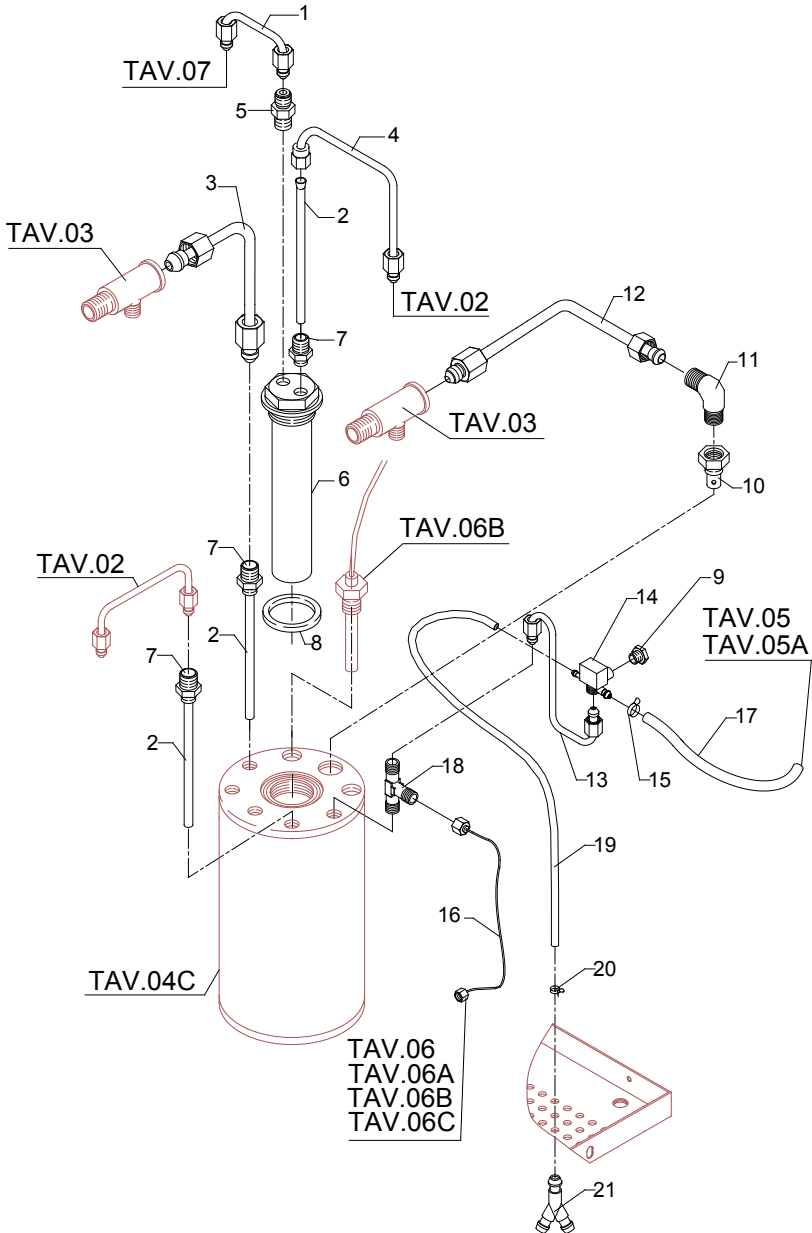


**TABLE 4A**  
**Mod. DE PID**



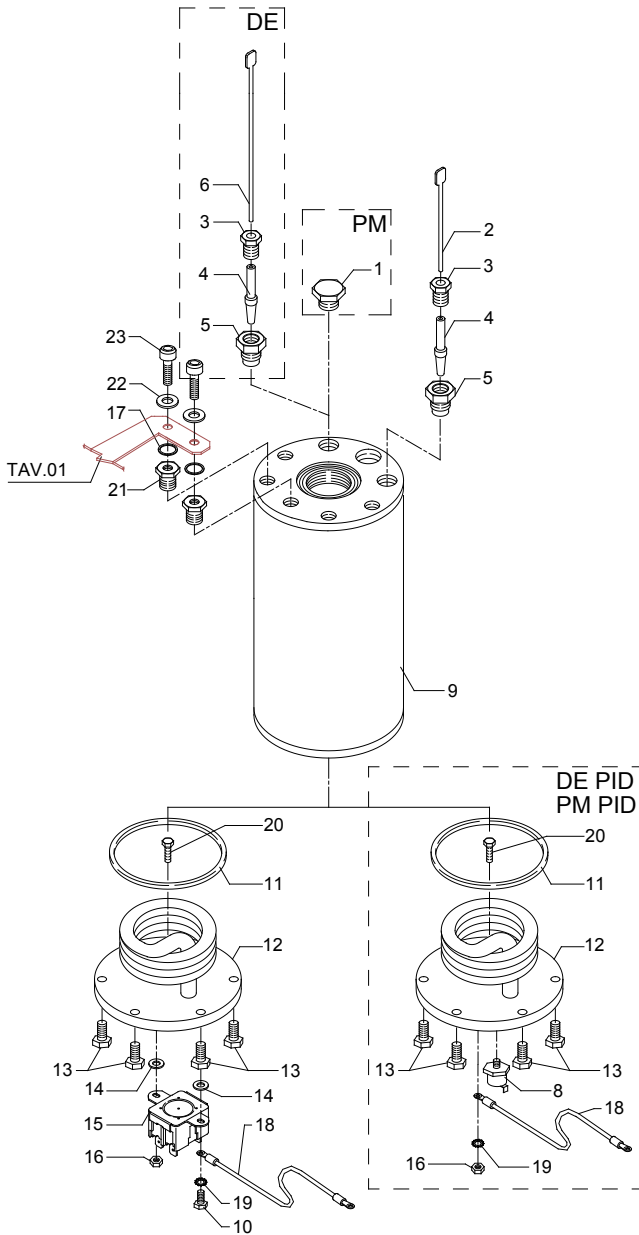


**TABLE 4B**  
**Mod. PM PID**



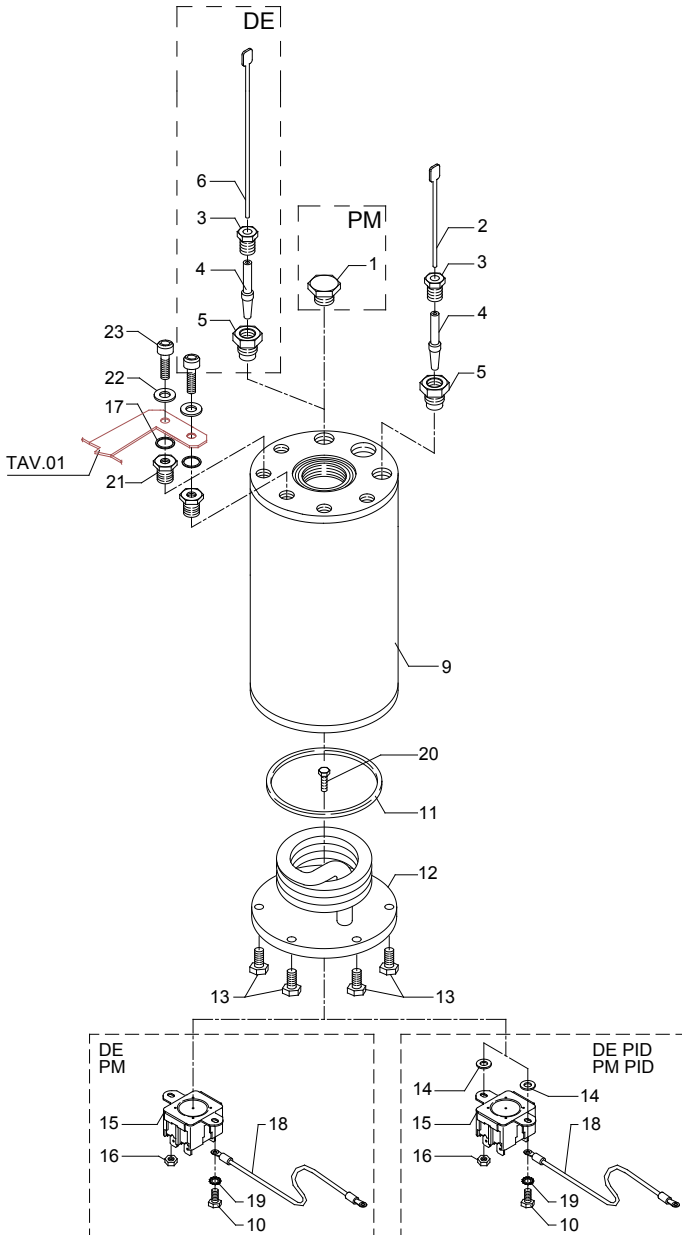
	<b>POS</b>	<b>CODE</b>	<b>DESCRIPTION</b>
<b>TABLE 4C (up to 30.04.10)</b>	1	5226405TP	PLUG 1/4"G ES.16 H13 OT
	2	5265804	LEVEL PROBE 1GR D3 X 110 X 6.3
	3	5225205	STRAIGHT FITTING M10 OT
	4	5192001	PROBE SHEATH D8 X 45 HOLE D3 PTFE
	5	5225209TP	STRAIGHT FITTING 1/4"G X M10 OT
	6	5265811	LEVEL PROBE D3X160X4.8
	8	7434009	THERMOSTAT MANUAL 16A 135°C
	9	5320520.01TP	BOILER
	10	7816409	SCREW TE M4X8 UNI 5739 A2
	11	7496040	OR GASKET D73 X 3 VITON
	12	5721128TP	HEATING ELEMENT 120V W1200
	12	5722239TP	HEATING ELEMENT 220/240V W1100-1300
	13	7816422	SCREW TE M6X14 UNI 5739 OT
	14	7825003	WASHER D5X1 UNI 6592 OT
	15	7634813	THERMIC SAFETY DEVICE 250V 115°C
	16	7822603	NUT M4
	17	7492003	GASKET D6.5
	18	7663573	GROUND WIRE
	19	7814001	WASHER Ø 4
	20	7826402	SCREW TE M4X16 UNI 5739 OT
	21	5226411TP	PLUG 1/8"G ES.12 H10 HOLE M4 OT
	22	7825003	WASHER D5X1 UNI 6592 OT
	23	7816002	SCREW TCEI M4X12

TABLE 4C (up to 30.04.10)



	POS	CODE	DESCRIPTION
<b>TABLE 4C (from 01.05.10)</b>	1	5226405TP	PLUG 1/4"G ES.16 H13 OT
	2	5265804	LEVEL PROBE 1GR D3 X 110 X 6.3
	3	5225205	STRAIGHT FITTING M10 OT
	4	5192001	PROBE SHEATH D8 X 45 HOLE D3 PTFE
	5	5225209TP	STRAIGHT FITTING 1/4"G X M10 OT
	6	5265811	LEVEL PROBE D3X160X4.8
	7	5225412	FITTING
	9	5320520.01TP	BOILER
	10	7816409	SCREW TE M4X8 UNI 5739 A2
	11	7496040	OR GASKET D73 X 3 VITON
	12	5721128TP	HEATING ELEMENT 120V W1200
	12	5722239TP	HEATING ELEMENT 220/240V W1100-1300
	13	7816422	SCREW TE M6X14 UNI 5739 OT
	14	7825003	WASHER D5X1 UNI 6592 OT
	15	7634819	THERMIC SAFETY DEVICE 250V 130°C
	16	7822603	NUT M4
	17	7492003	GASKET D6.5
	18	7663573	GROUND WIRE
	19	7814001	WASHER Ø 4
	20	7826402	SCREW TE M4X16 UNI 5739 OT
	21	5226411TP	PLUG 1/8"G ES.12 H10 HOLE M4 OT
	22	7825003	WASHER D5X1 UNI 6592 OT
	23	7816002	SCREW TCEI M4X12

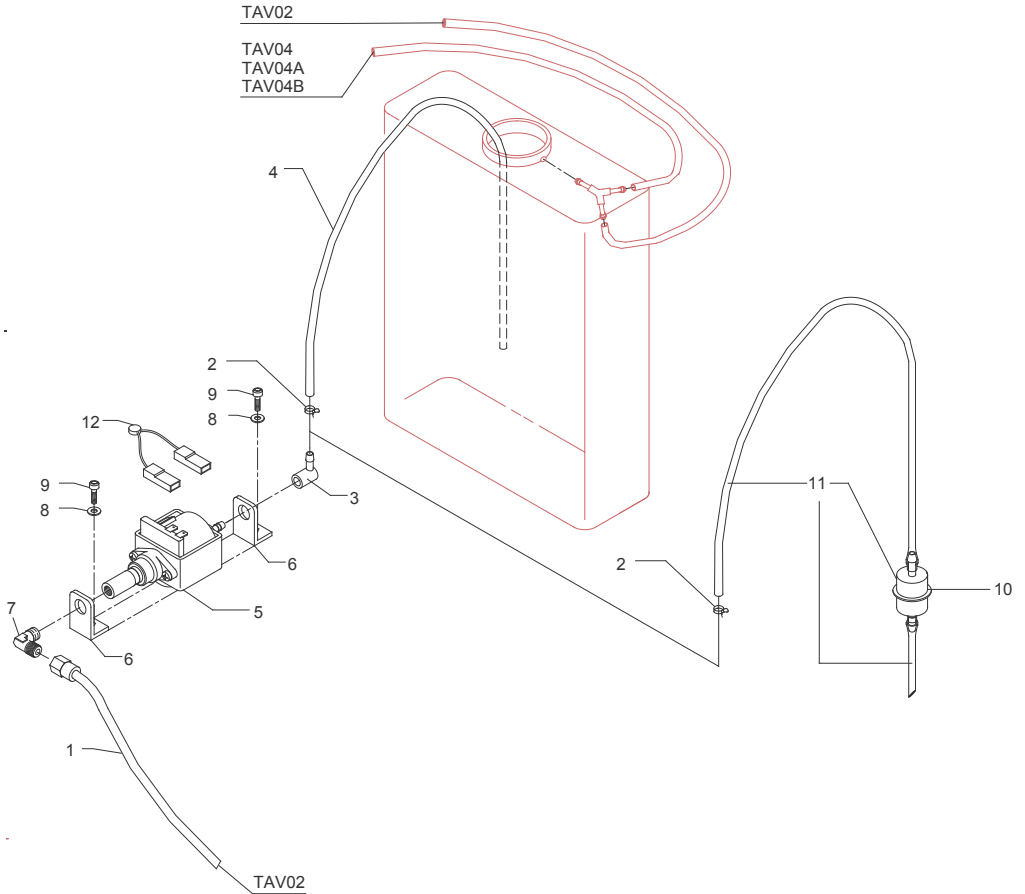
TABLE 4C (from 01.05.10)





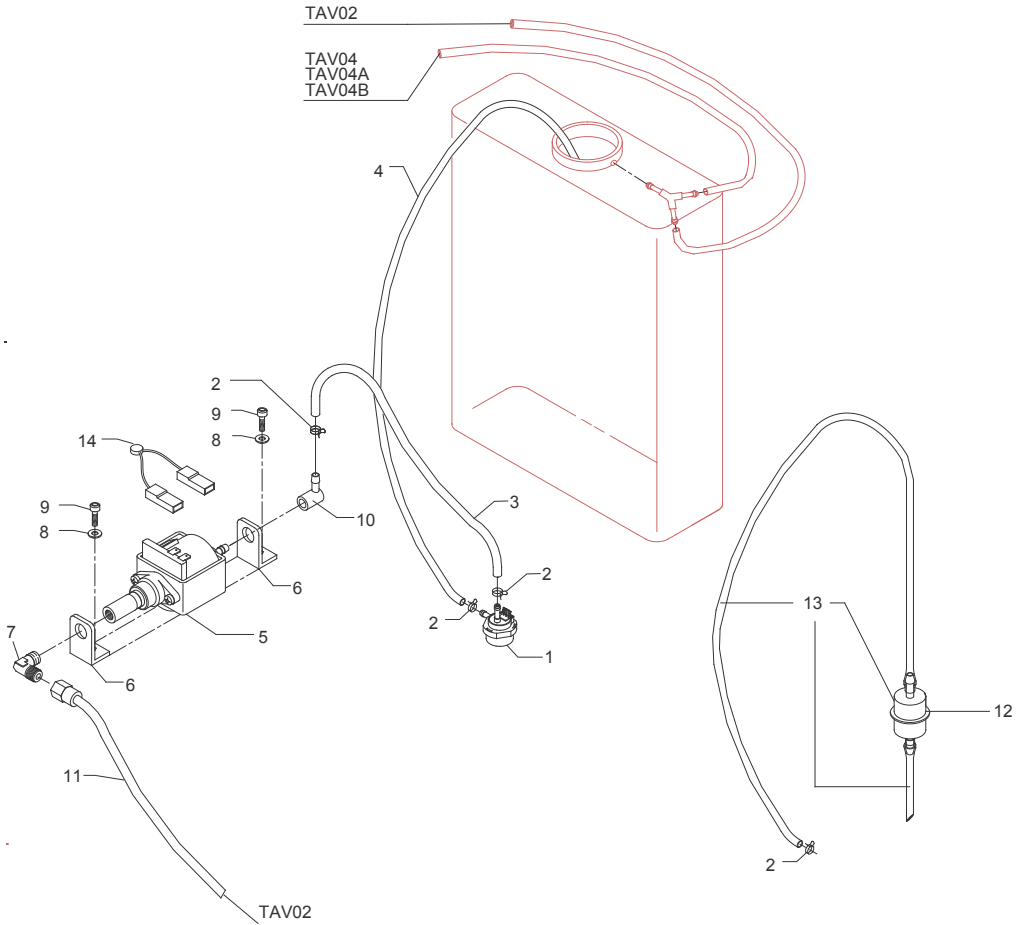


**TABLE 5**  
**Mod. PM**



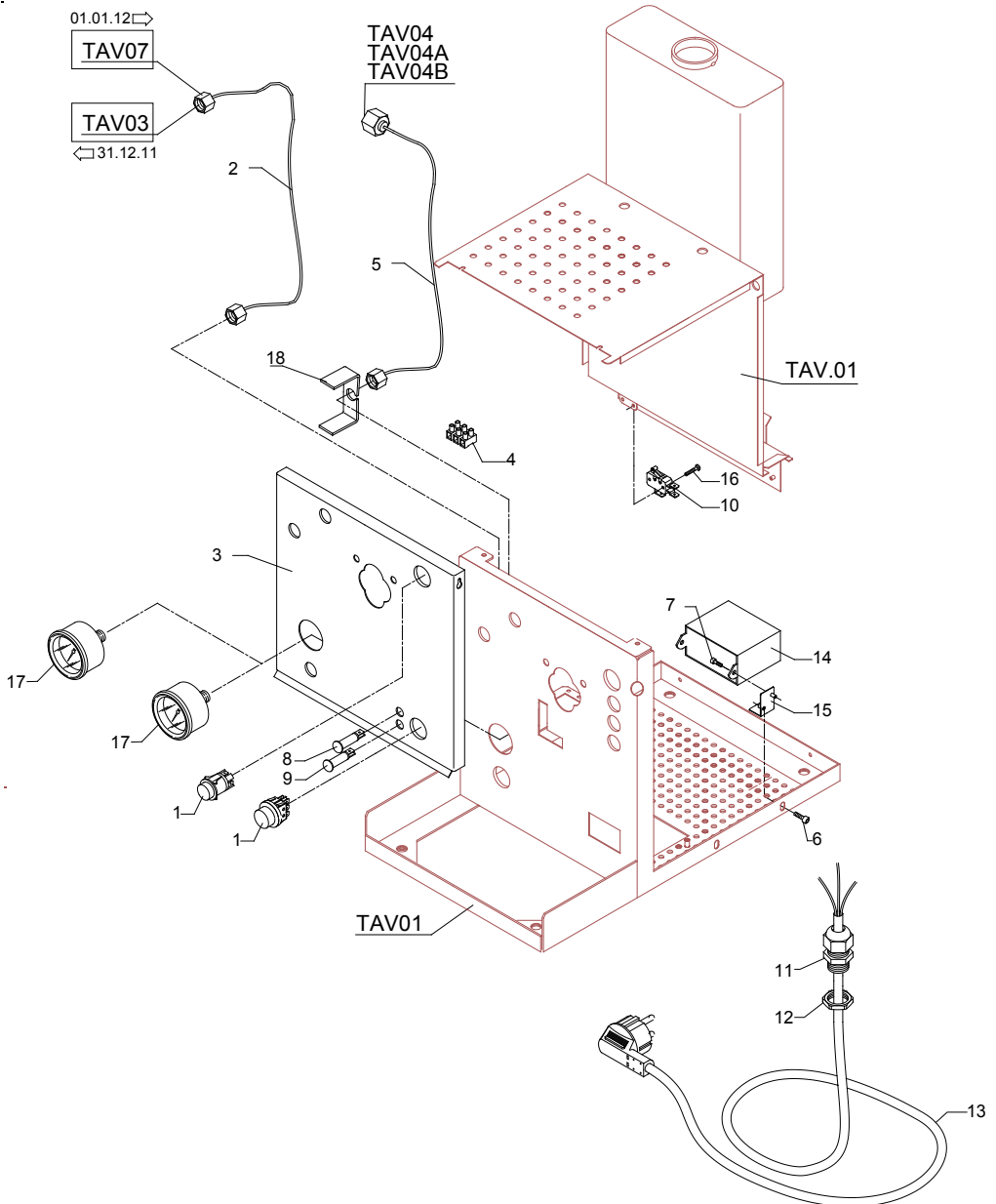


**TABLE 5A**  
**Mod. DE**



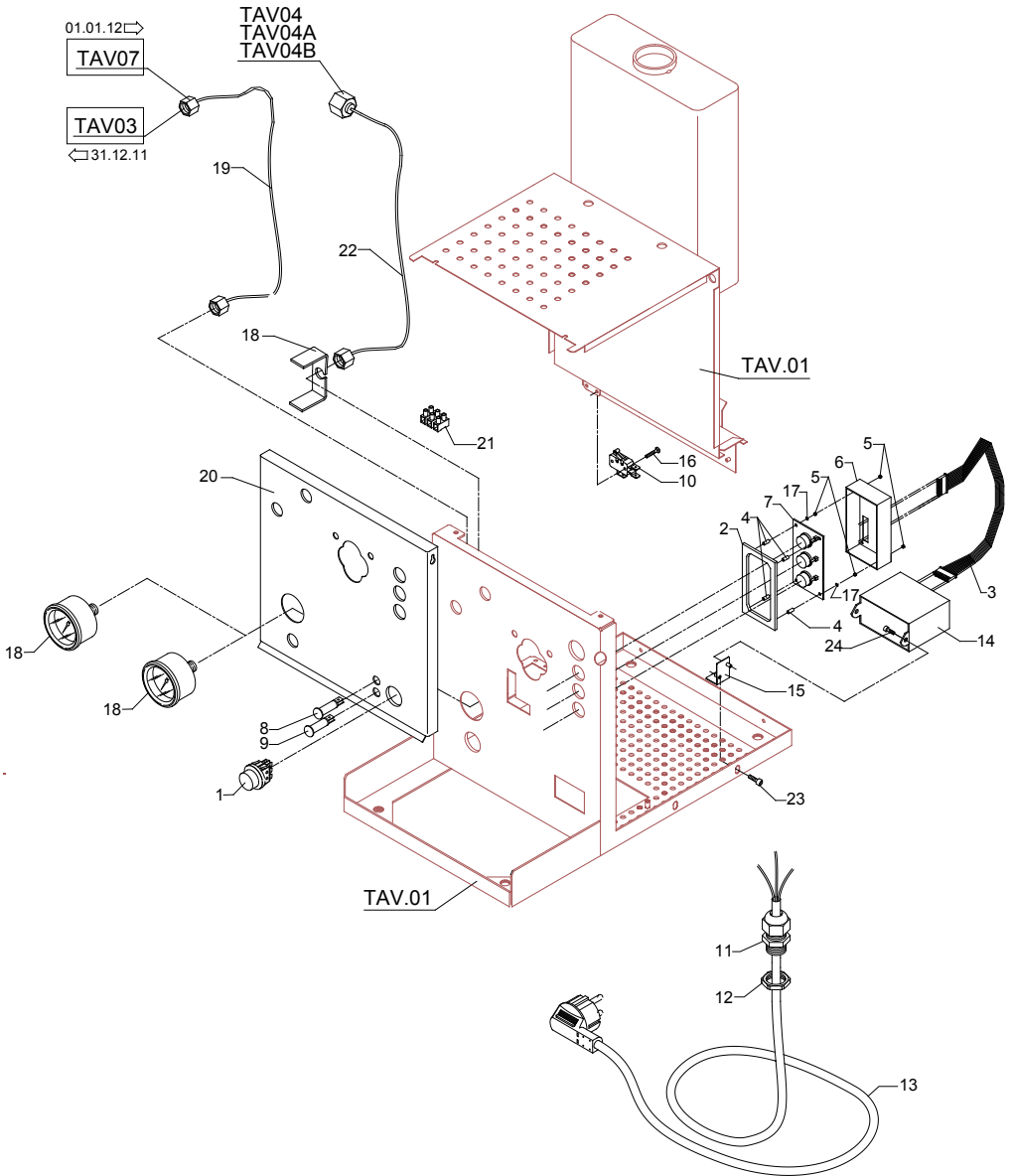
	<b>POS</b>	<b>CODE</b>	<b>DESCRIPTION</b>	
<b>TABLE 6 Mod. PM</b>	1	7633331	BIPOLAR SWITCH	
	2	7400901	PRESSURE GAUGE CAPILLARY	
	3	5074446SG	GROUP FRONTAL PM	
	3	5074450SG	GROUP FRONTAL PM WHIT DUAL GAUGE SCALE	
	4	7612511	CLAMP 3 CONTACTS	
	5	7400902	BOYLER-MANOMETER CAPILLARY	
	6	7816009	SCREW TCEI M4X10	
	7	7816005	SCREW TCEI M4X20	
	8	7633602.01	GREEN LAMP 110/240V	
	9	7633604.01	ORANGE LAMP 110/240V	
	10	7633907	MICROSWITCH	
	11	7614007	CABLE-PRESS PG13,5	
	12	7614006	NUT PG13,5	
	13	7555001	CABLE WITH SCHUKO PLUG	
	13	7551001	CABLE WITH USA PLUG 125V 15A	
	13	7551003	CABLE WITH USA PLUG 250V 20A	
	13	7552001	CABLE WITH AUSTRALIAN PLUG	
	13	7554001	CABLE WITH ENGLISH PLUG	
	13	7555003	CABLE WITH SWITZERLAND PLUG	
	14	7661036R	LEVEL REGULATOR 1 PROBE 230V	
	14	7661037R	LEVEL REGULATOR 1 PROBE 115V	
	14	7661038R	LEVEL REGULATOR 1 PROBE 240V	
	15	5058433LL	LEVEL REGULATOR SUPPORT	
	16	7819911	SCREW TTEI M4X25	
	17	7432522	PRESSURE GAUGE D40 3BAR	
	17	7432524	PRESSURE GAUGE D60 DOUBLE SCALE	

**TABLE 6**  
**Mod. PM**





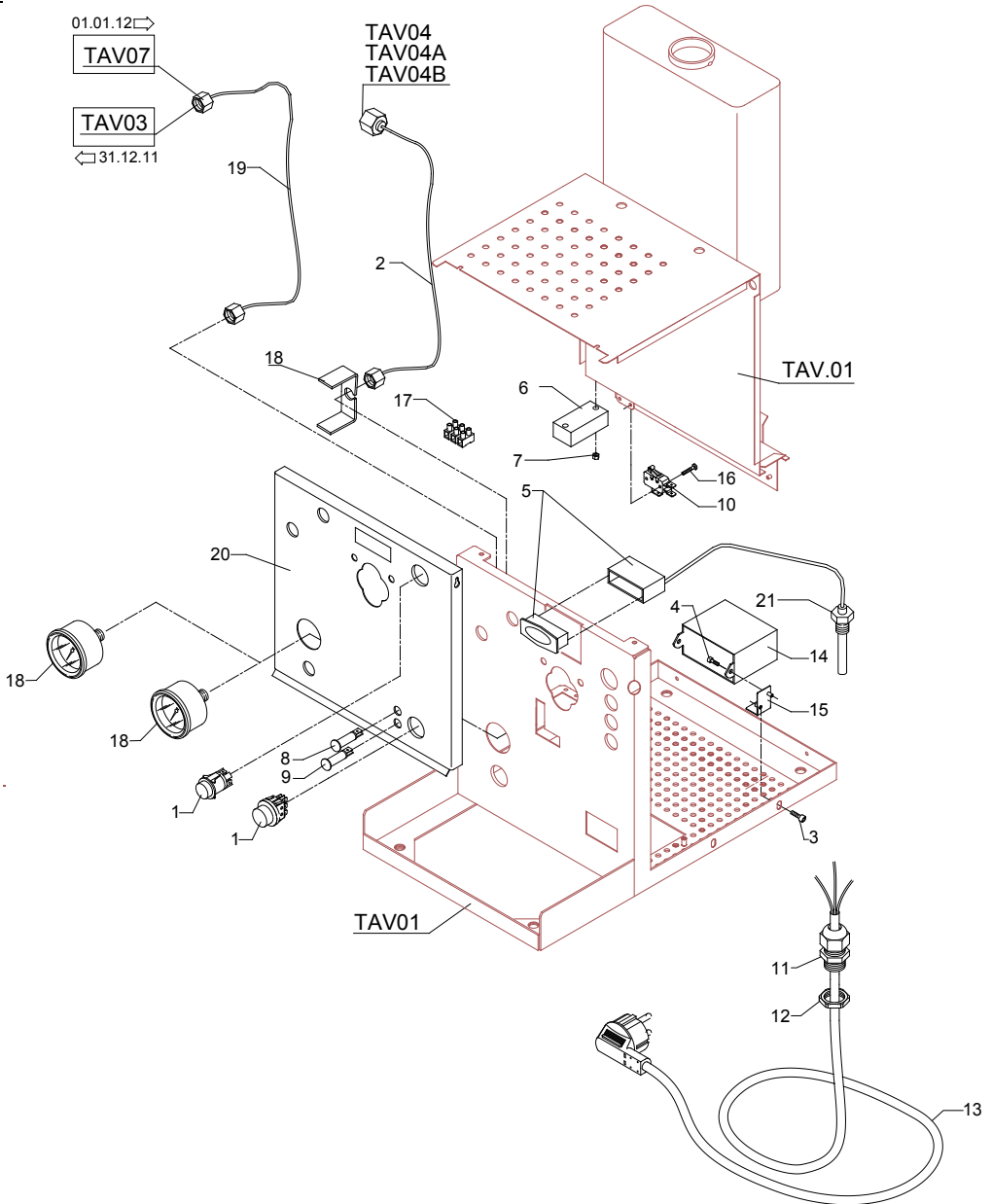
**TABLE 6A**  
**Mod. DE**



	<b>POS</b>	<b>CODE</b>	<b>DESCRIPTION</b>
<b>TABLE 6B Mod. PMPID</b>	1	7633331	BIPOLAR SWITCH
	2	7400902	BOYLER-MANOMETER CAPILLARY
	3	7816009	SCREW TCEI M4X10
	4	7816005	SCREW TCEI M4X20
	5	7434016	THERMOSTAT TERMOPID 110V
	5	7434017	THERMOSTAT TERMOPID 230/240V
	6	7635424	RELAY
	7	7822602	NUT M3
	8	7633602.01	GREEN LAMP 110/240V
	9	7633604.01	ORANGE LAMP 110/240V
	10	7633907	MICROSWITCH
	11	7614007	CABLE-PRESS PG13,5
	12	7614006	NUT PG13,5
	13	7555001	CABLE WITH SCHUKO PLUG
	13	7551001	CABLE WITH USA PLUG 125V 15A
	13	7551003	CABLE WITH USA PLUG 250V 20A
	13	7552001	CABLE WITH AUSTRALIAN PLUG
	13	7554001	CABLE WITH ENGLISH PLUG
	13	7555003	CABLE WITH SWITZERLAND PLUG
	14	7661036R	LEVEL REGULATOR 1 PROBE 230V
	14	7661037R	LEVEL REGULATOR 1 PROBE 115V
14	7661038R	LEVEL REGULATOR 1 PROBE 240V	
15	5058433LW	LEVEL REGULATOR SUPPORT	
16	7819911	SCREW TTEI M4X25	
17	7612511	CLAMP 3 CONTACTS	
18	7432522	PRESSURE GAUGE D40 3BAR	
18	7432524	PRESSURE GAUGE D60 DOUBLE SCALE	
19	7400901	PRESSURE GAUGE CAPILLARY	
20	5074454SG	GROUP FRONTAL PM T.PID	
20	5074456SG	GROUP FRONTAL PM T.PID WHIT DUAL GAUGE SCALE	
21	7666002	PROBE T.PID	



**TABLE 6B**  
**Mod. PM PID**





**TABLE 6C**  
**Mod. DE PID**

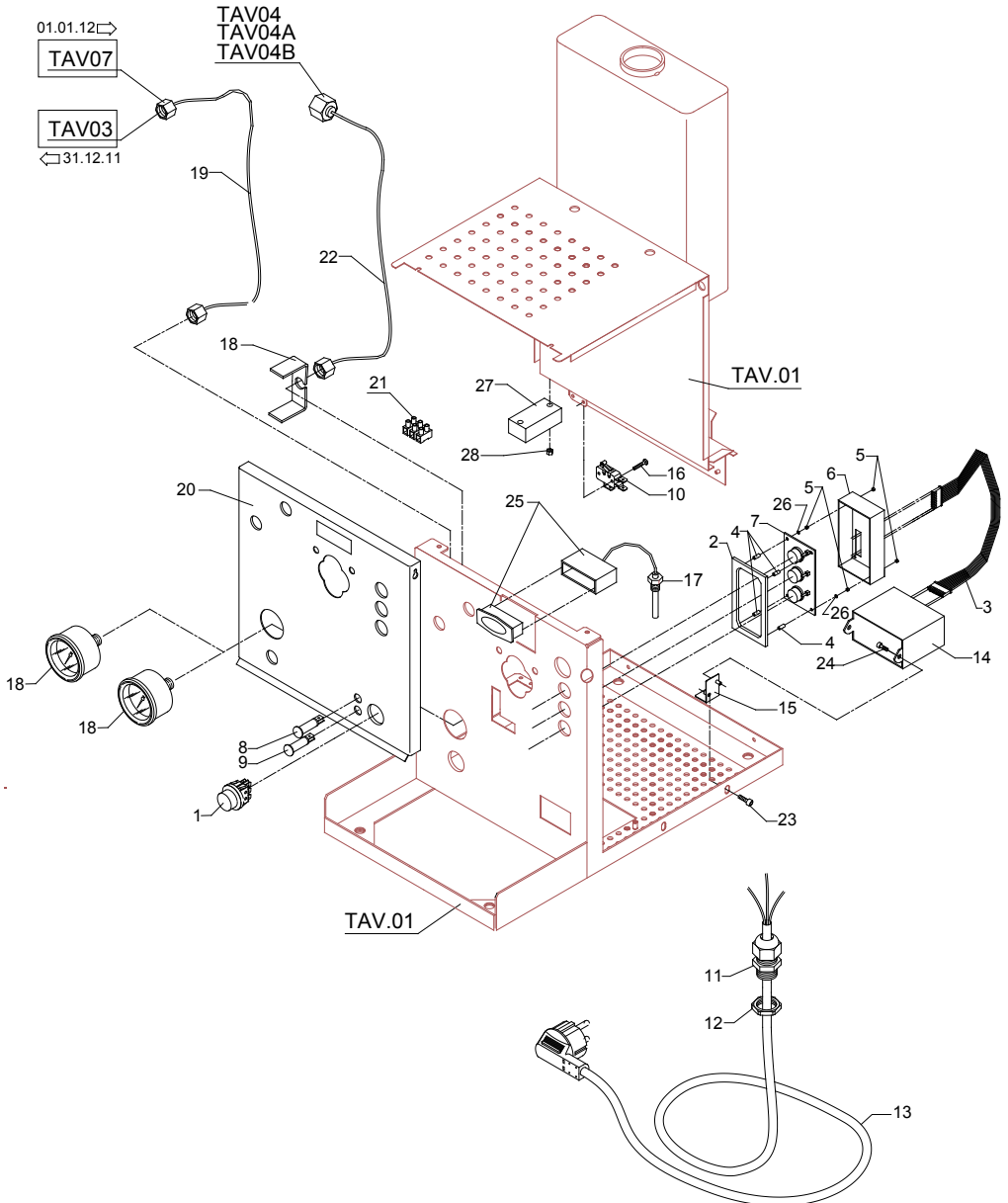




TABLE 7 (up to 27.04.09)

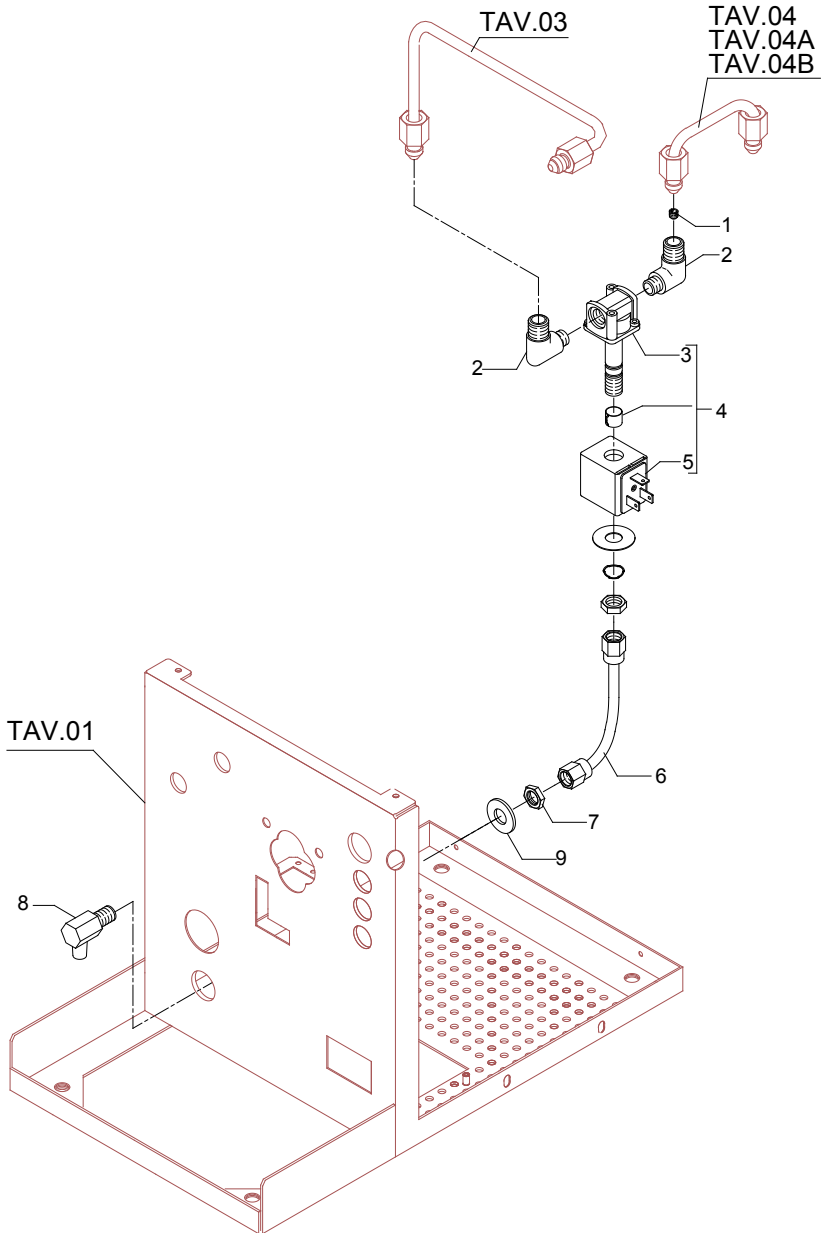




TABLE 7 (up to 31.12.11)

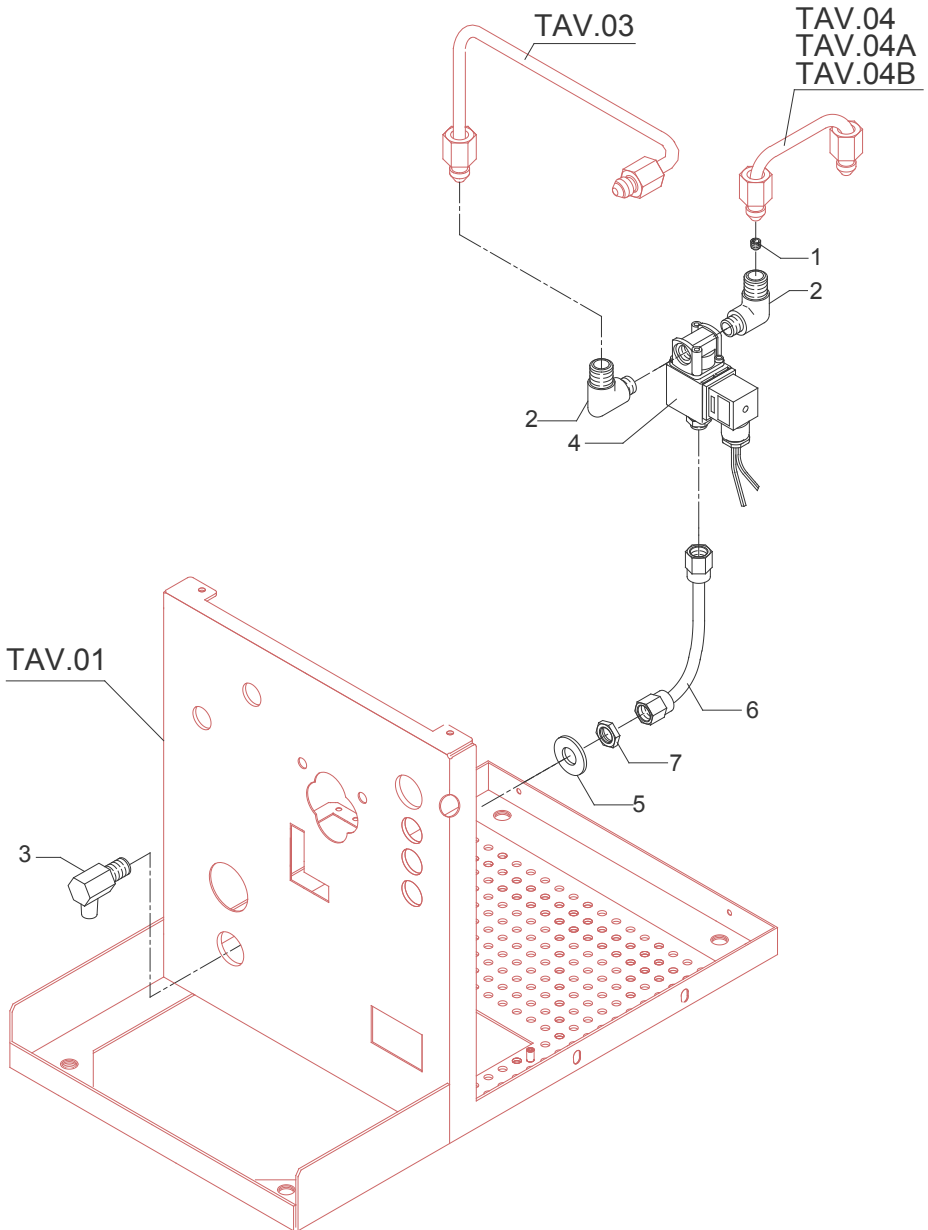






TABLE 7 (up to 01.04.13)

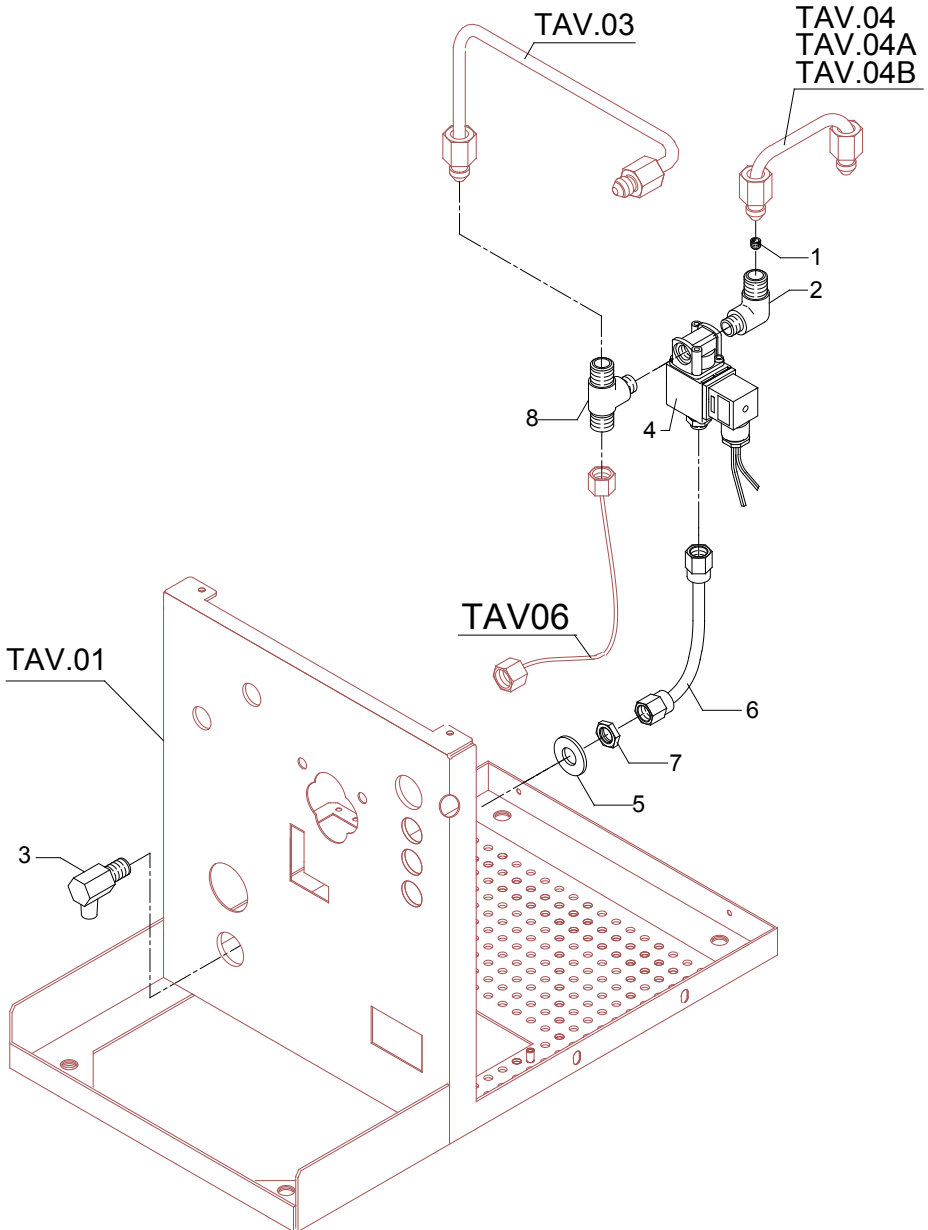




TABLE 7 (from 02.04.13)

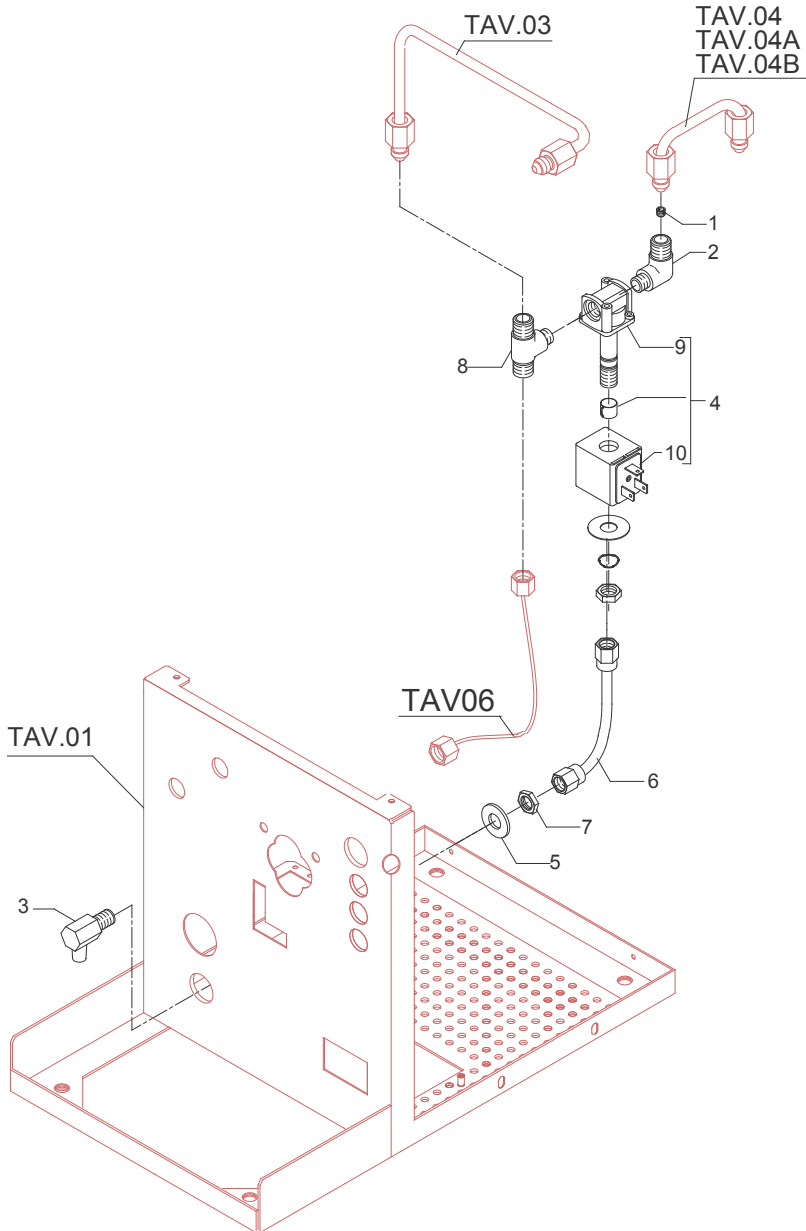




TABLE 8 (up to 28.02.10)

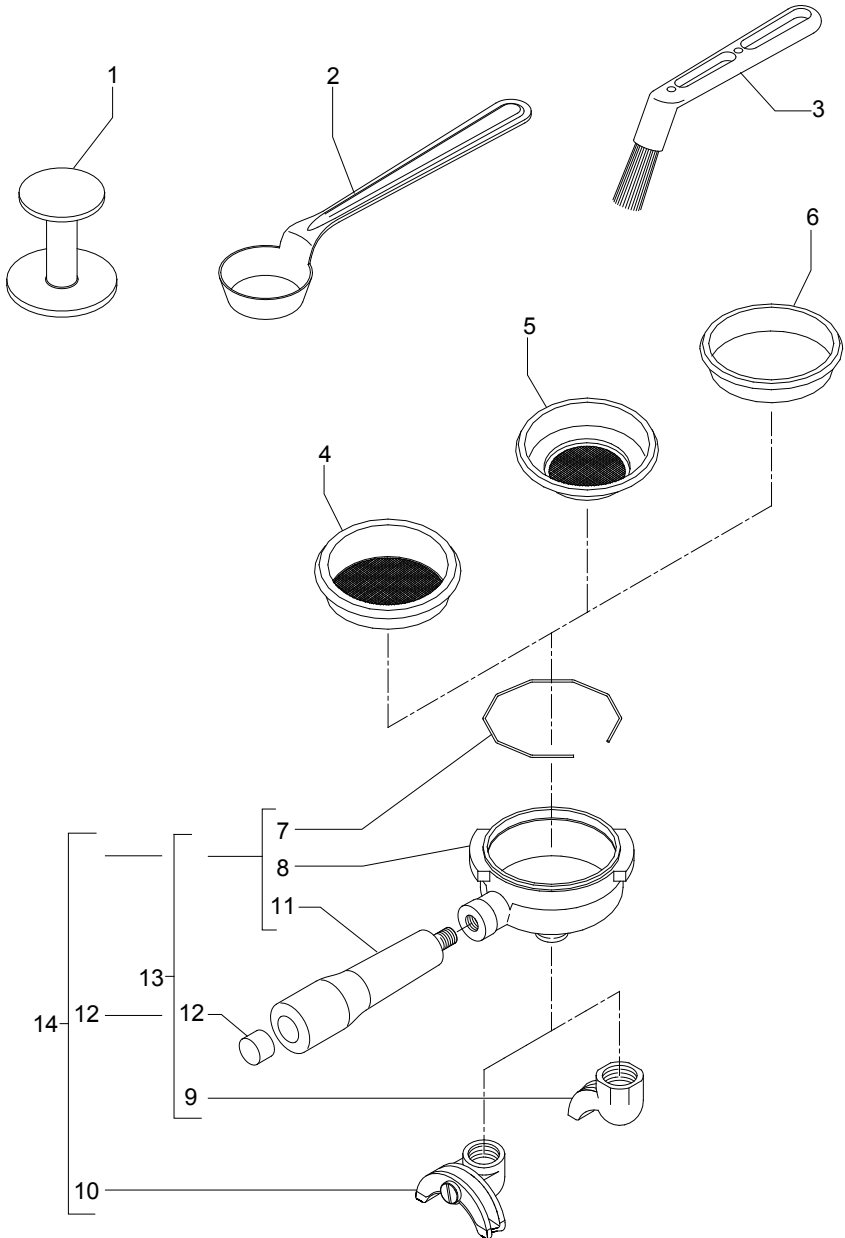
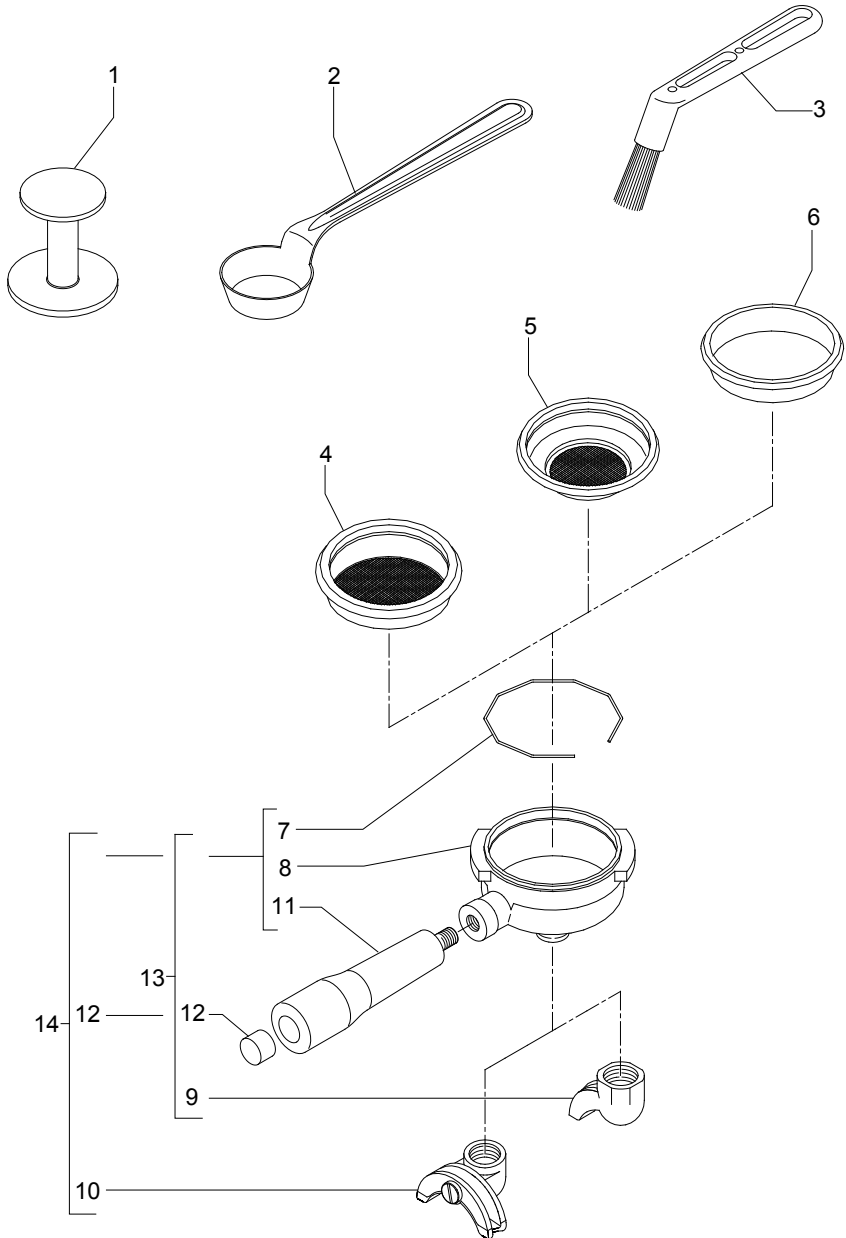




TABLE 8 (from 01.03.10)





**BEZZERA**

**Dal 1901**

**G.BEZZERA**

**MACCHINE PER CAFFE' ESPRESSO**

Via Luigi Bezzera,1

20088 Rosate - Milano - Italy

Tel. ++39 02 90848102 r.a. - Telefax ++39 02 90870287

Web: [www.g.bezzera.it](http://www.g.bezzera.it)

e-mail: [commerciale@bezzera.it](mailto:commerciale@bezzera.it)