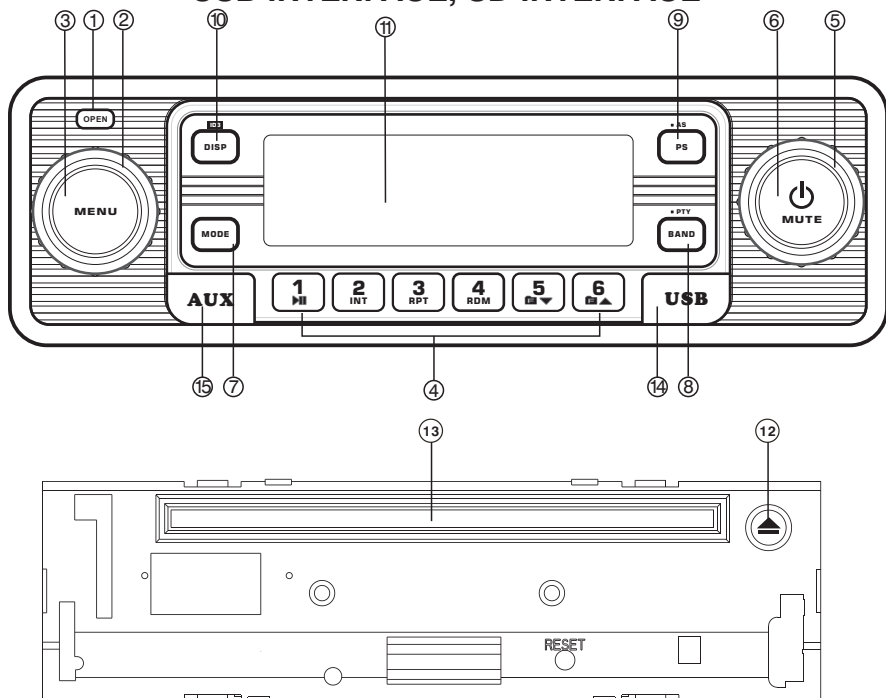


INSTRUCTION MANUAL

CAR CD/MP3 PLAYER / RDS RECEIVER WITH USB INTERFACE, SD INTERFACE



1. PANEL RELEASE BUTTON
2. ENCODER VOLUME KNOB
3. SYSTEM MENU BUTTON
4. PRESET MEMORY BUTTONS
5. ENCODER TUNING UP/ DOWN & TRACK UP / DOWN BUTTON
6. POWER / MUTE BUTTON
7. MODE BUTTON
8. BAND/ BUTTON / PTY BUTTON
9. AUTOMATICALLY STORE / PRESET SCAN (AS/PS) BUTTON
10. DISPLAY BUTTON / MP3/ID3 INFORMATION BUTTON
11. RADIO SIGNAL STRENGTH METER
12. EJECT BUTTON
13. CD SLOT
14. USB COVER / FLIP OPEN TO ACCESS TO USB SOCKET
15. AUX-IN JACK ON FRONT PANEL

1. HANDLING COMPACT DISCS

MOISTURE CONDENSATION

On a rainy day or in a very damp area, moisture may condense on the lenses inside the unit. Should this occur, the unit will not operate properly. In such a case, remove the disc and wait for about an hour until the moisture has evaporated.

NOTES ON CDs

1. A dirty or defective disc may cause sound dropouts while playing. To enjoy optimum sound, handle the disc as follows. Handle the disc by its edge. To keep the disc clean, do not touch the surface (P.1).



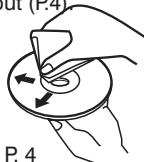
2. Do not stick paper or tape on the disc (P.2).



3. Do not expose the discs to direct sunlight or heat sources such as hot air-ducts, or leave them in a car parked in direct sunlight where there can be a considerable rise in temperature inside the car (P.3).



4. Before playing, clean the discs with an optional cleaning cloth. Wipe each disc from the centre out (P.4).



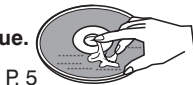
5. Do not use solvents such as benzene, thinner, commercially available cleaners, or antistatic spray intended for analog discs.

NOTES ON DISCS

If you use the discs explained below, the sticky residue can cause the CD to stop spinning and may cause malfunction or ruin your discs.

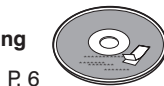
Do not use second-hand or rental CDs that have a sticky residue on the surface (for example, from peeled-off stickers or from ink, or glue leaking from under the stickers).

There are paste residue. Ink is sticky (P.5).



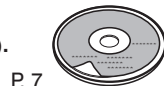
Do not use rental CDs with old labels that are beginning to peel off.

Stickers that are beginning to peel away, leaving a sticky residue (P.6).



Do not use your CDs with labels or stickers attached.

Labels are attached (P.7).



Do Not Use Special Shape CDs

Be sure to use round shape CDs only for this unit and do not use any special shape CDs. Use of special shape CDs may cause the unit to malfunction.(P.8).



Be sure to use CDs with disc mark

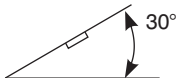


Only for this unit.

CD-Rs and CD-RWs which have not undergone finalization processing cannot be played. (For more information on finalization processing, refer to the manual for your CD-R/CD-RW writing software or CD-R/CD-RW recorder.) Additionally, depending on the recording status, it may prove impossible to play certain CDs record on CD-R or CD-RW.

2. INSTALLATION

- Before finally installing the unit, connect the wiring temporarily and make sure it is all connected up properly and the unit and system work properly.
- Use only the parts included with the unit to ensure proper installation. The use of unauthorized parts can cause malfunctions.
- Consult with your nearest dealer if installation requires the drilling of holes or other modifications of the vehicle.
- Install the unit where it does not get in the driver's way and cannot injure the passenger if there is a sudden stop, like an emergency stop.
- If installation angle exceeds 30° from horizontal, the unit might not give its optimum performance.

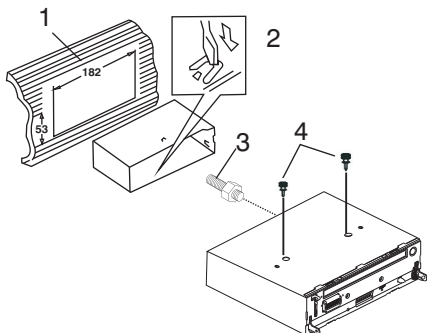


- Avoid installing the unit where it would be subject to high temperature, such as from direct sunlight, or from hot air, from heater, or where it would be subject to dust dirt or excessive vibration.
- Be sure to remove the front panel before installing the unit.

DIN FRONT/REAR-MOUNT

This unit can be properly installed either from "Front" (conventional DIN Front-mount) or "Rear" (DIN Rear-mount installation, utilizing threaded screw holes at the sides of the unit chassis). For details, refer to the following illustrated installation methods A and B.

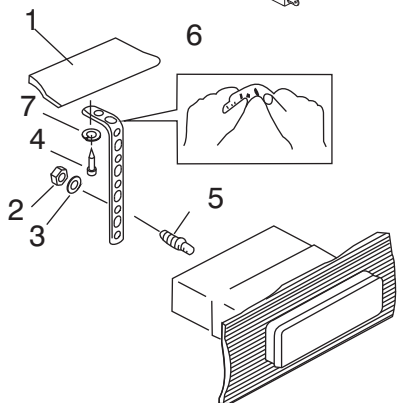
- DIN FRONT-MOUNT (Method A) Installation the unit



1. Dashboard
2. Half Sleeve

After inserting the half sleeve into the dashboard, select the appropriate tab according to the thickness of the dashboard material and bend them inwards to secure the holder in place.

3. Screw
4. Remove the two screws that fix the CD deck mechanism player before mounting the unit.

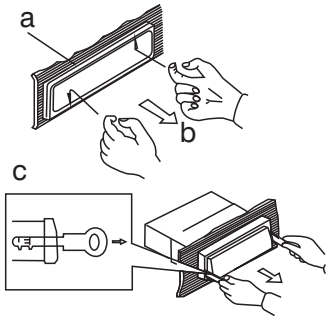


1. Dashboard
2. Nut (5mm)
3. Spring washer
4. Screw (5x12+5x4mm)
5. Screw
6. Support Strap

Be sure to use the support strap to secure the back of the unit in place. The strap can be bent by hand to the desired angle.

7. Plain washer

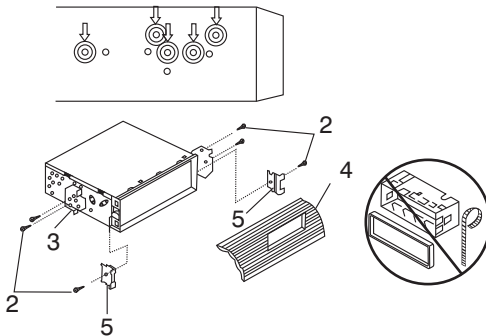
Removing the unit



- a. Frame
- b. Insert fingers into the groove in the front of frame and pull out to remove the frame. (When re-attaching the frame, point the side with a groove downwards and attach it.)
- c. Insert the levers supplied with the unit into the grooves at both sides of the unit as shown in figure until they click. Pulling the levers makes it possible to remove the unit from the dashboard.

- DIN REAR-MOUNT (METHOD B)

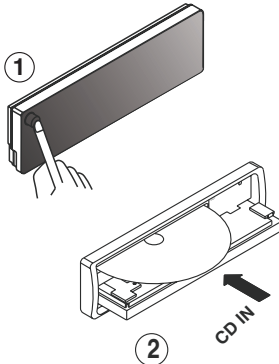
Installation using the screw holes on the sides of the unit.
Fastening the unit to the factory radio mounting bracket.



1. Select a position where the screw holes of the bracket and the screw holes of the main unit become aligned (are fitted) and tighten the screws at 2 places on each side.
2. Screw
3. Factory radio mounting bracket.
4. Dashboard or Console
5. Hook (Remove this part)

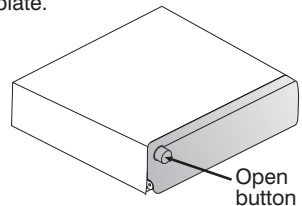
Note: The mounting box, outer trim ring, and half-sleeve are not used for method B installation.

- PANEL OPEN / CLOSE OPERATION



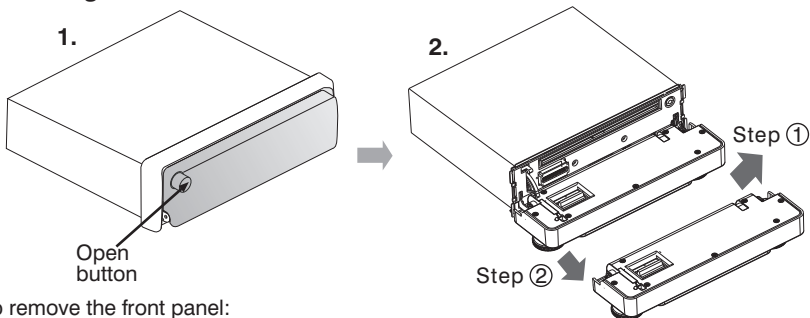
1. Press Open button
2. The CD slot will be accessible.
3. After CD is loaded or unloaded return the panel to its original position.

Note: Before inserting or ejecting disc, press the Release button to flip down the faceplate.



3. DETACHABLE CONTROL PANEL(D.C.P)

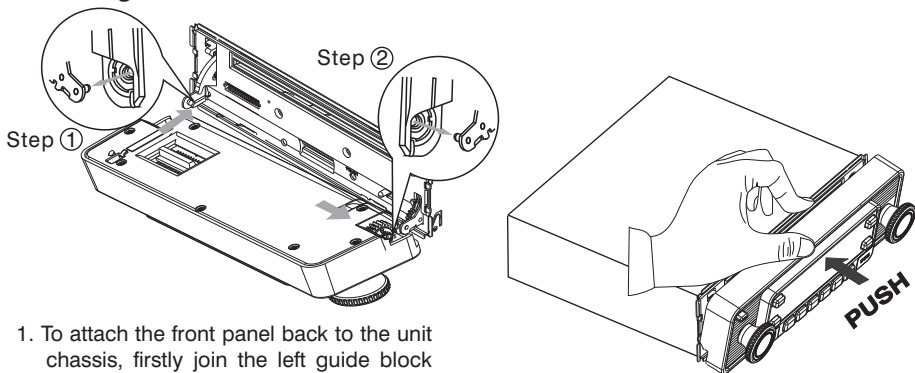
Removing The Detachable Front Panel



To remove the front panel:

1. Press the Panel Open Button.
2. After flipping down the front panel, push it rightwards (Step ①), then draw the left of the front panel outwards (Step ②).

Attaching The Detachable Front Panel

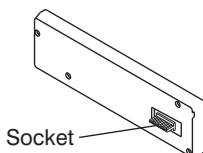


1. To attach the front panel back to the unit chassis, firstly join the left guide block hole to the left cylinder (Step ①), then join the right guide block hole and the right cylinder (Step ②).

2. Press the centre of the front panel until a “click” sound is heard.

CAUTION

- The D.C.P can easily be damaged by shocks. After removing it, place it in a protective case and be careful not to drop it or subject it to strong shocks.
- When the release button is pressed and the D.C.P is unlocked, the car's vibrations may cause it to fall. To prevent damage to the D.C.P always store it in a protective case after detaching it.
- The rear connector that connects the main unit and the D.C.P is an extremely important part. Be careful not to damage it by pressing on it with fingernails, pens, screwdrivers, etc.



Note:

If the D.C.P is dirty, wipe off the dirt with soft, dry cloth only. And use a cotton swab soaked in isopropyl alcohol to clean the socket on the back of the D.C.P.

4. WIRING DIAGRAM

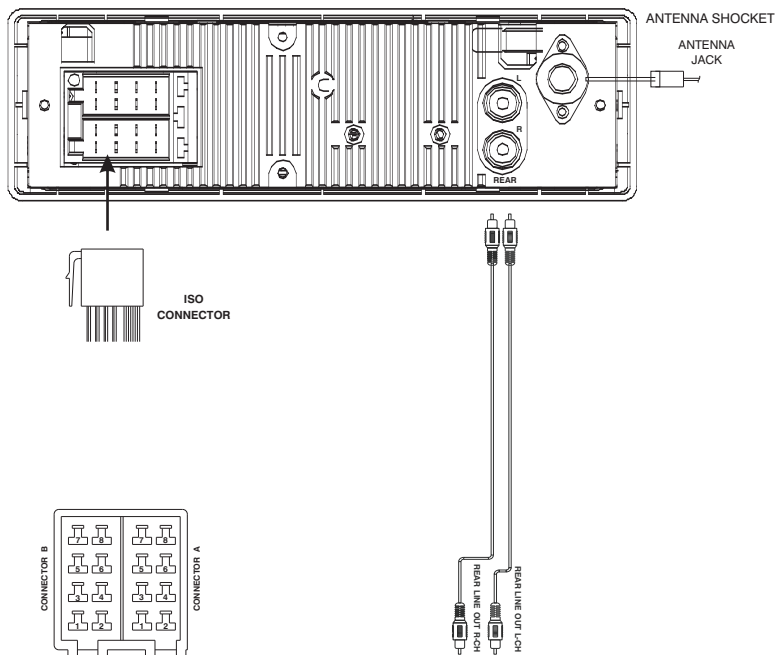


Figure 2

ISO CONNECTOR WIRING CHART

PIN	WIRE COLOR	FUNCTION LABEL
A4	YELLOW	BATTERY (+)
A5	BLUE	POWER ANTENNA
A7	RED	IGNITION (ACC)
A8	BLACK	GROUND
B1	VIOLET	RIGHT REAR SPEAKER (+)
B2	VIOLET/BLACK	RIGHT REAR SPEAKER (-)
B3	GREY	RIGHT FRONT SPEAKER (+)
B4	GREY/BLACK	RIGHT FRONT SPEAKER (-)
B5	WHITE	LEFT FRONT SPEAKER (+)
B6	WHITE/BLACK	LEFT FRONT SPEAKER (-)
B7	GREEN	LEFT REAR SPEAKER (+)
B8	GREEN/BLACK	LEFT REAR SPEAKER (-)

5. BASIC OPERATIONS

1) PANEL OPEN BUTTON (OPEN)

Press this button to fold down the front panel.

6) POWER ON/OFF BUTTON (⏻)

press POWER/MUTE button or any other button on the front of the radio (except Open / Eject) to turn the unit on. And Long press POWER /MUTEbutton again to turn the unit off.

6) MUTE BUTTON (MUTE)

Short press the MUTE button momentarily to mute the audio volume, and "Mute" will flash in the display. Press the MUTE button again to restore volume to the previous setting.

2) ENCODER VOLUME KNOB

Turn this knob to adjust desired volume level.

11) DISPLAY BUTTON(DISP)

Press this button briefly, the LCD will display the clock for about 2 seconds, then return to previous display mode.

Clock Adjustment

Under clock display mode, press DISP button until the LCD flashes, press Tuning Up Button to adjust hour and Tuning Down Button to adjust minute.

Press this button to view Clock, Programme Type (PTY), and Frequency of the station in listening.

DUAL COLOR ILLUMINATION BUTTON (DISP)

Press DISP button more than 3 seconds to change the LCD and illumination color from blue to red and vice versa.

7) MODE BUTTON (MODE)

- Press this button to select different mode , sequence as follow:

A) Tuner mode (Radio)

B) CDP / MP3 (only if a CD or MP3 disc is inserted)

C) USB (only if a USB drive is inserted)

D) SD (Only if a SD card is inserted))

E) CDC-CD Changer mode (optional, only if this unit is equipped with this features)

F) AUX IN (optional, only if this unit with this features)

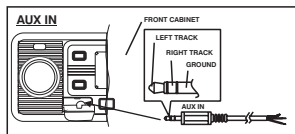
- **MODE PRIORITY**

Whenever a USB or SD is being inserted, unit will automatically switch to USB or SD mode, does not matter the unit is currently in what mode.

When in USB or SD mode, if the USB or SD is being removed, unit will automatically switch to radio mode.

12) AUX-IN JACK ON FRONT PANEL

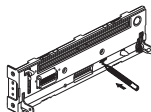
Connect the external signal to AUX in jack located at the front of the panel , then press Mode button to select Aux mode. Press Mode Button again to cancel Aux Mode and return to previous mode.



RESET BUTTON

The RESET button is located on the main unit (as shown on the diagram). To press it vertically with a ballpoint pen or metal object will activate it. The reset button is to be activated for the following reasons:

- Initial installation of the unit when all wiring is completed.
- All the function buttons do not operate.
- Error symbol on the display.



Note: If press RESET button, the unit still cannot function normally, please use a cotton swab soaked in isopropyl alcohol to clean the socket on the back of the control panel.

6. AUDIO / MENU OPERATIONS

3) AUDIO MENU (MENU)

Press “ MENU ” button to access the Audio Menu. User can navigate thru the Audio Menu items by pressing the MENU button. Once the desired menu item appears on the display, adjust that option by using the encoder volume knob within 5 seconds. The following menu items can be adjusted as described above. The unit will automatically exit the Audio Menu after 5 seconds of inactivity.

X-BASS

- User has 5 seconds to use the encoder volume knob to select the t Bass output.

PRESET EQUALIZER (EQ)

- Under the Preset EQ setting, there are have 5 different types of preset equalizer available for user selection.

OFF -> POP -> JAZZ -> CLASSIC -> BEAT -> ROCK

BASS (Bass Level)

- User has 5 seconds to use the encoder volume knob to adjust the desired Bass level range from -6 to +6.

TREBLE (Treble Level)

- User has 5 seconds to use the encoder volume knob to adjust the desired Treble level range from -6 to +6.

BALANCE

- User has 5 seconds to use the encoder volume knob to adjust the Balance between the right and left speakers from R12 (full right) to L12 (full left). “C00” represents an equal balance between the right and left speakers.

FADER

- User has 5 seconds to use the encoder volume knob to adjust the Fader between the front and rear speakers from R12 (full rear) to F12 (full front). “C00” represents an equal balance between the front and rear speakers.

TIME SET (CLK)

- The time on the clock will be set to 12:00 as the default. Program the current time by rotating the volume control clockwise to adjust the minutes and counterclockwise to adjust the hours.

TA ON/OFF

- Turn the encoder volume to select the TA function ON/OFF.

AF ON/OFF

- Turn the encoder volume to select the AF function ON/OFF.

BEEP TONE (BEEP)

- The beep tone feature allows the selection of an audible beep tone to be heard each time a button is pressed on the face of the radio. "BEEP TONE On" is the default display. Rotate the volume control to select the “BEEP TONE OFF” option.

7. RADIO OPERATIONS

11) RADIO SIGNAL STRENGTH METER (RSLM)

This is use to indicate the signal strength of current radio station broadcast. When you choose RADIO mode, it will show on the display.



9) AUTO MEMORY STORE/PRESET SCAN BUTTON (AS/PS)

1.PRESET SCAN: Press AS/PS button briefly to enter Preset Scan mode, it will scan all the preset stations in the memories, you can hear that it will stay on each station for about 5 seconds.

2.AUTO MEMORY STORE: Press AS/PS button for couple of seconds to enter Auto Store mode, this feature will automatically scan the current band and enter up to 6 strongest stations into the 6 preset memories. To stop Auto Store & Scan, press the AS/PS button again.

4) STATION PRESET BUTTONS (M1-M6)

1.Press these buttons briefly to recall the stored stations in the selected band.

2.Presetting stations manually, Press the BAND button to select the band for the station to be preset. Use Tuning Up/Down to tune in the stations to be preset. Press the Preset button at which you want to store the station for at least 2 second. The preset number will appear on the display accompanied by a beep, this indicate that the station has been stored into memory.

8) BAND BUTTON (BAND)

Press this button short to change between BAND FM1, FM2, FM3 & AM / MW bands.

5) TUNING / SEEK UP AND TUNING / SEEK DOWN BUTTONS

1.Press these buttons briefly will operate AUTO SEARCH tuning mode, the radio will tune up or down to the next station and remain on the frequency.

2.Press these buttons more than 2 seconds, operate as MANUAL SEARCH buttons, under this mode the tuning frequency will advance up or down rapidly when the button is pressed. If the buttons are not pressed within 3 seconds, they will return to auto search mode.

8. RDS OPERATIONS

8) PTY BUTTON

Each time when this button is pressed, the PTY mode will toggle in the following order:

PTY Music Group -> PTY Speech Group ->PTY Off

The current PTY code is displayed on the LCD, use the 6 preset buttons to select the other PTY code, the distribution of program type are as follow:

Button Number	Music Group	Speech Group
M1	POP , ROCK	NEWS, AFFAIRS, INFO
M2	EASY, LIGHT	SPORT, EDUCATE, DRAMA
M3	CLASSICS,	CULTURE, SCIENCE, VARIED
M4	JAZZ, COUNTRY	WEATHER, FINANCE, CHILDREN
M5	NATION, OLDIES	SOCIAL, RELIGION, PHONE IN
M6	FOLK	TRAVEL, LEISURE, DOCUMENT

When PTY code is selected, the radio will search the band for the station that matches the PTY code.

OVERVIEW OF THE RDS FUNCTION

Radio Data System (RDS) is a broadcasting service that allows FM stations to send additional digital information along with the regular radio program signal. Your car stereo offers you a variety of services. Here are just a few:

- **PI (Program identification)**

It is a code that identified RDS stations; it is unique for each station.

- **PS (PROGRAM Service Name)**

The name of current station, it is shown on the display.

- **AF (Alternative Frequencies List)**

The list(s) of Alternative Frequencies give information on the various transmitters broadcasting the same program in the same or adjacent reception area. If the main frequency should get worse, the radio will tune automatically to the strongest Alternative frequency.

- **TP (Traffic Program)**

If the tuned program carries Traffic Announcement, the TP indicator will turn on.

- **TA (Traffic Announcement)**

When an actual traffic bulletin is on air, the TA indicator will also turn on.

- **PTY (Program Type Codes)**

This code is used to designate the current program material being broadcast. With this feature, you can search the programs that match the selected program type, which is chosen from a specific list of types.

- **CT (Clock Time)**

This function permits to update the clock of the receiver the nation from which the station is broadcasting (from PI). It could happen that on the display will be shown the wrong hour; this happens because in Italy the Clock Time function is not working yet.

Notes

- Depending on the country or region, not all of the RDS functions are available in Italy.
- RDS may not work properly if the signal strength is weak or if the station you are tuned to is not transmitting RDS data.

9.CD OPERATIONS

13) CD SLOT

Insert the disc into CD slot. The CD will begin to play.

M1) PAUSE BUTTON (PAU)

Press this button to pause CD play, press again to release pause.

M2) INTROL BUTTON (SCN)

Press this button, the first 10 seconds of each track will be played sequentially until this button is pressed again, then normal play will resume at the current track.

M3) REPEAT BUTTON (RPT)

Press this button, the current track will be played repeatedly until this button is pressed again.

M4) RANDOM PLAY BUTTON(SHF)

When random play mode is selected, the tracks will be played in random order, press this key one more time to cancel random play mode.

5) TRACK UP AND TRACK DOWN BUTTON

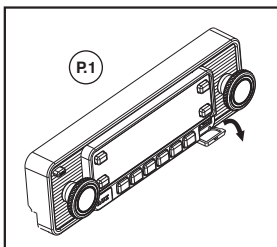
Press the Track Up Button to skip to the next track or previous track. Press the Track Down button during play will return to the beginning of the current track, press it one more time to skip to previous skip. Press and hold Track Up/Down Button to fast forward or fast reverse. CD player starts when you release the button.

12) EJECT BUTTON (▲)

Press this button to eject the CD from the unit. The receiver will switches to radio mode automatically.

**PLEASE READ THIS INSTRUCTION CAREFULLY
BEFORE OPERATING THE UNIT**

10. USB DRIVE OPERATIONS



COMPATIBILITY

Due to the fast changing technology world, this unit may or may not be compatible to all the USB drive / device available with all the future technology, especially those USB drive / device which require to install a driver. Always choose a compatible USB drive / device which is compatible with this unit.

NOTE:

This unit is not compatible with portable Hard-Disk.

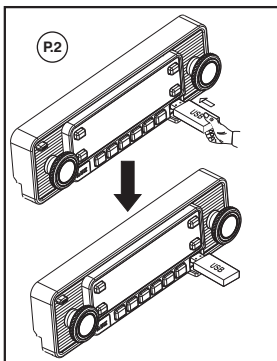
START THE USB DEVICE MODE

- 1.The USB socket is covered by the USB plastic cover as indicated in picture 1 (P1). Flip open the USB plastic cover, and the USB socket will become accessible.
2. Plug in the USB drive / device completely as indicated in picture 2(P2) and display will show "USB PLAY" to indicate that the USB drive / device is being plugged in correctly & the download has begun.

NOTE:

The unit may take a while to detect or download the USB files, detect & download time may vary depends on the type of USB drive / device.

- 3.Does not matter the unit is in what mode (TUNER, CDC, CD, SD etc), once a USB drive / device is being plugged into the unit, unit will automatically switch to USB mode.
- 4.All the USB files playback function is same as normal CD or MP3 disc playback.(Please refer to section CD operations & MP3 operations)

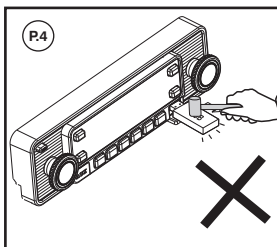
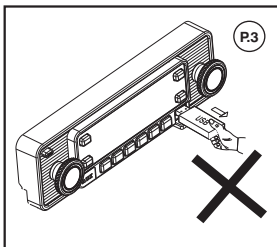


TO STOP USB PLAYBACK

- 1.The USB drive / device is unplugged, the unit automatically switch to radio mode. Or user can use mode button to switch to other mode.
- 2.User can use the mode button to choose USB mode (only if USB drive / device is inserted in the unit) or any other modes, when they are in any mode.
 - USB 1.1 > 320KBPS
 - FILE MANAGE: FAT12 / FAT16/ FAT 32

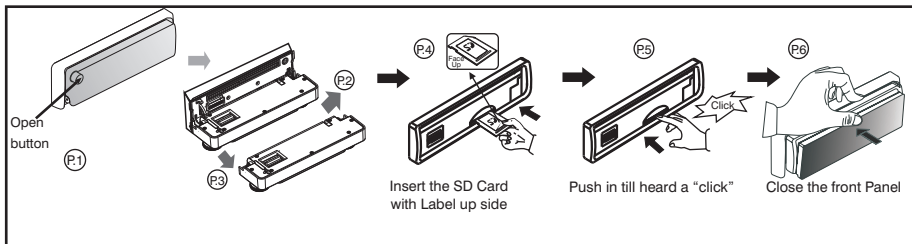
WARNING

1. Always unplugged the USB gently from the unit, excessive force used will cause permanent & serious damage to the unit & the USB drive / device.(P3)
2. Please never intentionally or accidentally hit on the USB drive / device when it is plugged in. This will cause permanent & serious damage to the unit & USB drive / device.(P4)
3. Please never try to plug in any USB drive / device with excessive weight or excessive size into the unit. Please always use USB drive / device with reasonable weight & size which will not overload the unit, which will not make performing normal operation on the front panel impossible. Excessive weight or size USB drive / device may cause permanent & serious damage to the unit. And may cause access to the buttons / knobs on the front panel impossible.



11. SD OPERATIONS

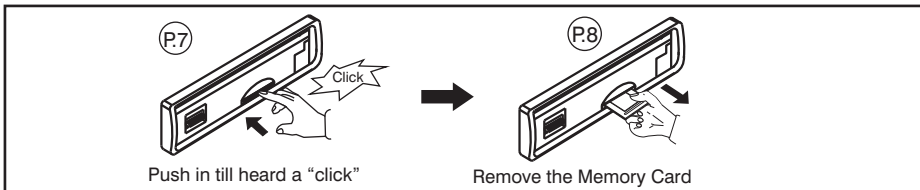
1. Press panel open button to release the front panel.(P.1)
2. After flipping down the front panel, push it rightwards (P.2),then draw the left of the front panel outwards (P.3).
3. The SD card slot is located on the unit as indicated in (P.4).
4. Insert the SD card into the card slot in the correct direction until a "CLICK" sound is heard.(P.5)
5. Close the front panel.(P.6)



6. The display will show "SD PLAY" to indicate that the SD card is correctly inserted. Once the SD card is inserted, the MP3 file will automatically loaded & playback will also start.
7. Does not matter the unit is in what mode (Tuner, CDC, CD, USB,etc), once a SD card is being inserted in the unit, unit will automatically switch to SD mode.
8. All the SD files playback function is same as normal CD or MP3 disc playback. (Please refer to section CD operations & MP3 operations)

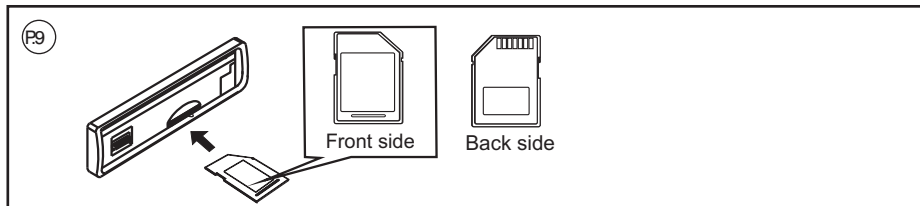
TO STOP SD CARD PLAYBACK

1. Push on the end of the SD card to eject the sd card. Once the SD card is taken out, the unit will automatically switch to previous mode.(P.7-P.8)
2. User can use the mode button to choose SD mode (only if SD is inserted in the unit) or any other modes, when they are in any mode.



WARNING

1. Please make sure to insert the SD card in the correct direction / orientation as indicated in picture (P.9). Wrong insert will cause permanent & serious damage to the unit & the SD card.
2. Always make sure the SD card is completely inserted before re-attaching the front panel.



12.MP3/WMA OPERATIONS(ENCODER VERSION)

Notes :

This unit support :

MPEG1/2/2.5 / Layer 2/3

WMA Version 7/8/9

Sampling frequency

- MPEG1 : 32/44.1/48 KHz

- MPEG2 :16/22.05/24 KHz

- MPEG2.5 : 8/11.025/12KHz

- WMA : 22/32/44/48KHz

Sampling But rate

- MP3/WMA : 32~320Kbps & VBR

CDROM Mode 1 / 2

ISO9660 Level 1 / 2 & Joliet(unicode)

Maximum no of folder on CD-Disc: 99

Maximum no of files / songs on CD-Disc 999

Maximum no of folder on USB or SD: 199

Maximum no of files / songs on USB or SD: 999

Sorting Method : Tree sorting

Max File/DIR. Name : 64Byte

ID3 V1.0/1.1/2.0/2.3(Max 32Byte)

- An MP3 directory is shown in this manual as “Directory”, and an MP3 file is shown as “Track”.
- Maximum length of file name : 28 characters.
- Maximum length of directory : 16 characters.
- Supports Multi-Session recording.
- Supports CD, CDR and CDRW.
- Disc written by Packet Write (UDF) is not supported.

LOADING DISC

Insert the CD as usual, if it is an MP3 CD, the display will show “MP3 T01” then the message “READING” will appear, when disc scanning completed, the first track on the first directory will play.

NOTE: 1) MP3 ICON turns on when a MP3 disc is playing.

2) MP3 ICON is blinking when under directory/Files search mode.

NAVIGATING THROUGH DIRECTORIES AND TRACKS

NOTE: MP3 Directory / Track selection can be done by Encoder Volume Knob or Tune Up / Down Buttons Both operations will be described. But Encoder Volume Knob is available on some models only. Please skip this description if your model is not equipped with this feature.

THERE ARE FOUR WAYS TO SELECT YOUR FAVORITE TRACK / DIRECTORY

A) SEARCHING TRACK DIRECTLY

Under MP3 play mode, press AS/PS BUTTON once, the display shows “MP3 T*”, enter the desired track number directly, then press MP3 ENTER BUTTON to confirm. The distribution of the number are listed as follow:

Number	1	2	3	4	5	6	7	8	9	0
Button	M1	M2	M3	M4	M5	M6	MODE	TUNE.DN	TUNE.UP	DISP

SEARCH TRACK NUMBER BY USING ENCODER VOLUME KNOB

Rotate the ENCODER VOLUME KNOB to scroll through the numbers, then press MP3 ENTER BUTTON to confirm.

B) SEARCHING BY DIRECTORY OR TRACK NAME

(1) SEARCH DIRECTORY / TRACK NAME BY USING TUNE UP / DOWN BUTTON

Under MP3 Play Mode, press AS/PS BUTTON twice, the display shows “ * “, enter the character directly. The unit searches files and directories which have the same character which is inputted by the user. The unit shows these sorted files and directories by TUNE UP / DOWN Button (TUNE DOWN First). If the selected name is directory, the user can go into the selected directory by press Mp3

ENTER BUTTON and continue to search the directory or file name in the directory by TUNE UP / DOWN Button (TUNE DOWN First). The selected file can be played by pressing MP3 Enter Button, the distribution of alphabetical characters are listed as follow :

Button	M1	M2	M3	M4	M5	M6	MODE	TUNE DN	TUNE UP		SEL	VOL UP/DN
Character	A,B,C	D,E,F	G,H,I	J,K,L	M,N,O	P,Q,R	S,T,U	V,W,X	Y,Z, Space	_,-,+	Move Cursor	Next/Previous Character

(2) SEARCH DIRECTORY / TRACK NAME BY USING ENCODER VOLUME KNOB

Under MP3 Play Mode, press AS/PS BUTTON twice, the display shows “ * “. Rotate the ENCODER VOLUME KNOB for selecting the character. In this Encoder Search mode, SELECT button use as move cursor. Press BAND button use as MP3 CONFIRM BUTTON. The unit searches files and directories which have the same character which is inputted by the user. The unit shows these sorted files and directories by ENCODER VOLUME KNOB (ROTATE ANTI-CLOCKWISE First). If the selected name is directory, the user can go into the selected directory by press MP3 CONFIRM BUTTON and continue to search the directory or file name in the directory by ENCODER VOLUME KNOB (ROTATE ANTI-CLOCKWISE First) The selected file can be played by pressing MP3 ONFIRM BUTTON.

(C) SEARCHING FROM DIRECTORY

(1) SEARCH DIRECTORY BY USING TUNE UP / DOWN BUTTON.

Under MP3 play mode, press AS/PS BUTTON three times, Then the first Directory name is shown. Press TUNE UP/DOWN (TUNE DOWN FIRST) to navigate through the directory list, press MP3 ENTER BUTTON to select the desired directory. The display will show “ \ ”. To select the tracks under the selected directory, by pressing TUNE UP/DOWN Buttons (TUNE DOWN FIRST) then press MP3 ENTER BUTTON to confirm when desired track is found.

(2) SEARCH DIRECTORY BY USING ENCODER VOLUME KNOB

Under MP3 play mode, press AS/PS BUTTON three times, Then the first Directory name is shown. Rotate ENCODER VOLUME KNOB (ROTATE ANTI-CLOCKWISE First) to navigate through the directory list, press MP3 ENTER BUTTON to select the desired directory. The display will show “ \ ”. To select the tracks under the selected directory, by Rotate ENCODER VOLUME KNOB (ROTATE ANTI-CLOCKWISE First) then press MP3 ENTER BUTTON to confirm when desired track is found.

(D) NAVIGATING THROUGH DIRECTORY BY USING M5/M6 BUTTON

Press directory up (M6) or directory down (M5) buttons to skip the current directory forward or backward by one position.

In a multi-level directories disc, the movement will take place at the current level until the last directory is reached. At this point press directory down (M5) again , it will move to the next level of directory.

ID3 TAG

Press DISPLAY button repeatedly to Display ID3 TAG information.

If the MP3 file is available with ID3 TAG, pressing the display button repeatedly will show information in the following sequence:

SONG TITLE > ARTIST> ALBUM TITLE > YEAR> COMMENTS

If any of the ID3-TAG information is not available, pressing the DISPLAY button repeatedly will show information in the following sequence:

UNKNOWN SONGNAME> UNKNOWN ARTIST> NO ALBUM TITLE > UNKNOWN YEAR > NO COMMENTS

If the MP3 file is without ID3 TAG, pressing the DISPLAY button, & “NO ID3 TAG” will be displayed.

The file name & track number of the MP3 file will scroll repeatedly through the display during the playing of the MP3 file.

13. SPECIFICATIONS

CD PLAYER

System	Compact disc audio system
Usable disc	Compact disc
Sampling frequency	44.1KHz
No of quantization bits	1bit
Frequency	5-20,000Hz
Number of channels	2 stereo
S/N Ration	70dB

RADIO SECTION

FM

Frequency Range	87.5-108 MHz
Intermediate Frequency	10.7 MHz
Usable Sensitivity	Better than 15dB at S/N 30 dB
Stereo Separation	25 dB at 1KHz
S/N Ratio	50 dB

AM/MW

Frequency Range	522-1620 KHz
-----------------	--------------

Intermediate Frequency	450KHz
Usable Sensitivity	Better than 45dB
S/N Ratio	40 dB

GENERAL

Power Supply	DC 11 -14V
Polarity	Negative Ground
Speaker impedance	4 ohms
Power Output	40W x 4

REMARK :

Specifications subject to change without notice.

14. TROUBLE SHOOTING

Before going through the check list, check wiring connection. If any of the problems persist after check list has been made, consult your nearest service dealer.

Symptom	Cause	Solution
No power	The car ignition is not on.	If the power supply is properly connected to the car accessory terminal, switch the ignition key to "ACC"
	The fuse is blown.	Replace the fuse.
Disc cannot be loaded or ejected	Presence of CD disc inside the player.	Remove the disc in the player, then put a new one.
	Inserting the disc in reverse direction.	Insert the compact disc with the label facing upward.
	Compact disc is extremely dirty or defective disc.	Clean the disc or try to play a new one.
	Temperature inside the car is too high.	Cool off or until the ambient temperature returns to normal.
	Condensation.	Leave the player to off for an hour or so, then try again.
No sound	Volume is in minimum.	Adjust volume to a desired level.
	Wiring is not properly connected.	Check wiring connection.
The operation keys do not work	The built-in microcomputer is not operating properly due to noise.	Press the RESET button. Front panel is not properly fixed into its place
Sound skips.	The installation angle is more than 30 degrees.	Adjust the installation angle to less than 30 degrees.
	The disc is extremely dirt or defective disc.	Clean the compact disc. Then try to play a new one.
The radio does not work. The radio station automatic selection does not work.	The antenna cable is not connected.	Insert the antenna cable firmly.
	The signals are too weak.	Select a station manually.
ERROR 1	Mechanism Error	Press the reset button if the error code does not disappear, consult your nearest service dealer.
ERROR 2	Servo Error	Press the reset button if the error code does not disappear, consult your nearest service dealer.